

82870

Pneumatic actuated controllers



- > **Port size:**
Internal thread
P = G1/8, Z = G1/4
- > **Compact design**
- > **Switching time and interval adjustable**
- > **Fully pneumatic controller, suitable for robust operation**
- > **Ideal for use in hazardous zones**
- > **International approvals**

Technical features

Fluid (control section):

Filtered air – compressed air supply via conditioning unit with a 5 ... 10 µm filter, without oiler (for unpurified compressed air we recommend an additional 50 ... 75 µm primary filter)

Reproducibility:

±5%

Mounting position:

Optional

Interval:

Adjustable 2 ... 200 s, set on about 10 s in factory

Pulse time:

Adjustable 30 ... 1.000 ms, approx ca. 200 ms

Fluid temperature:

0 ... +70°C (+32 ... +158°F),
–25 ... +70°C (–13 ... +158°F)
For dry air

Ambient temperature:

–20 ... +40°C (–4 ... +104°F)

Protection class:

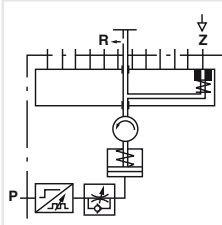
II 2GD c IIB T85°C
I M2c

Material:

Body: grey cast iron

Technical data – standard models

Wiper arm (valve venting) operated by spring return in the cylinder

Symbol	Number of control ports *1)	Control section Pressure Port P	Operating pressure	Operating section Control port Z	Operating pressure		Weight (kg)	Model
			Control section (bar)		Operating section (bar)	(psi)		
	10	G1/8	2 ... 8	G1/4	0,5 ... 8	7,25 ... 116	7,8	8287054.0000.00000
	12	G1/8	2 ... 8	G1/4	0,5 ... 8	7,25 ... 116	7,8	8287154.0000.00000
	14	G1/8	2 ... 8	G1/4	0,5 ... 8	7,25 ... 116	7,8	8287254.0000.00000
	16	G1/8	2 ... 8	G1/4	0,5 ... 8	7,25 ... 116	10,9	8287354.0000.00000
	20	G1/8	2 ... 8	G1/4	0,5 ... 8	7,25 ... 116	10,9	8287554.0000.00000

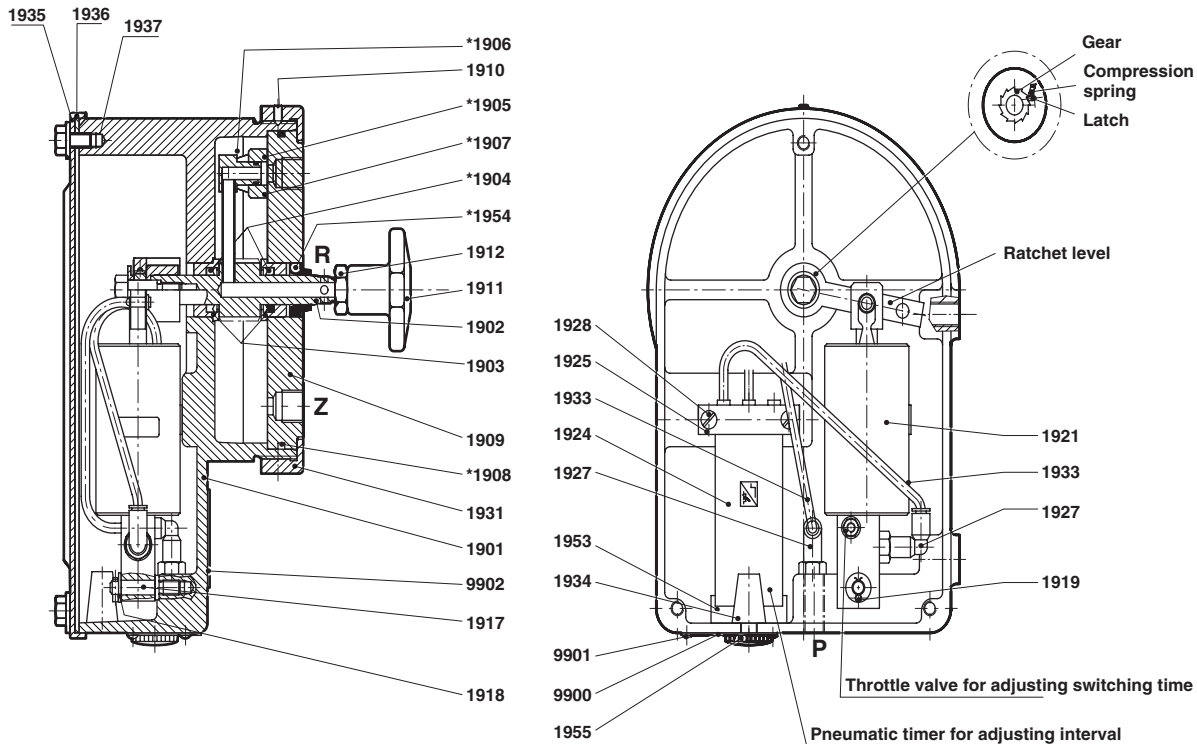
*1) Control ports not required have to be sealed with a plug

Option selector
8287★54.0000.00000

Number of control ports *1)	Substitute
10	0
12	1
14	2
16	3
20	5

Valve options	Substitute
Units with 18 control ports available	on request

*1) Control ports not required have to be sealed with a plug

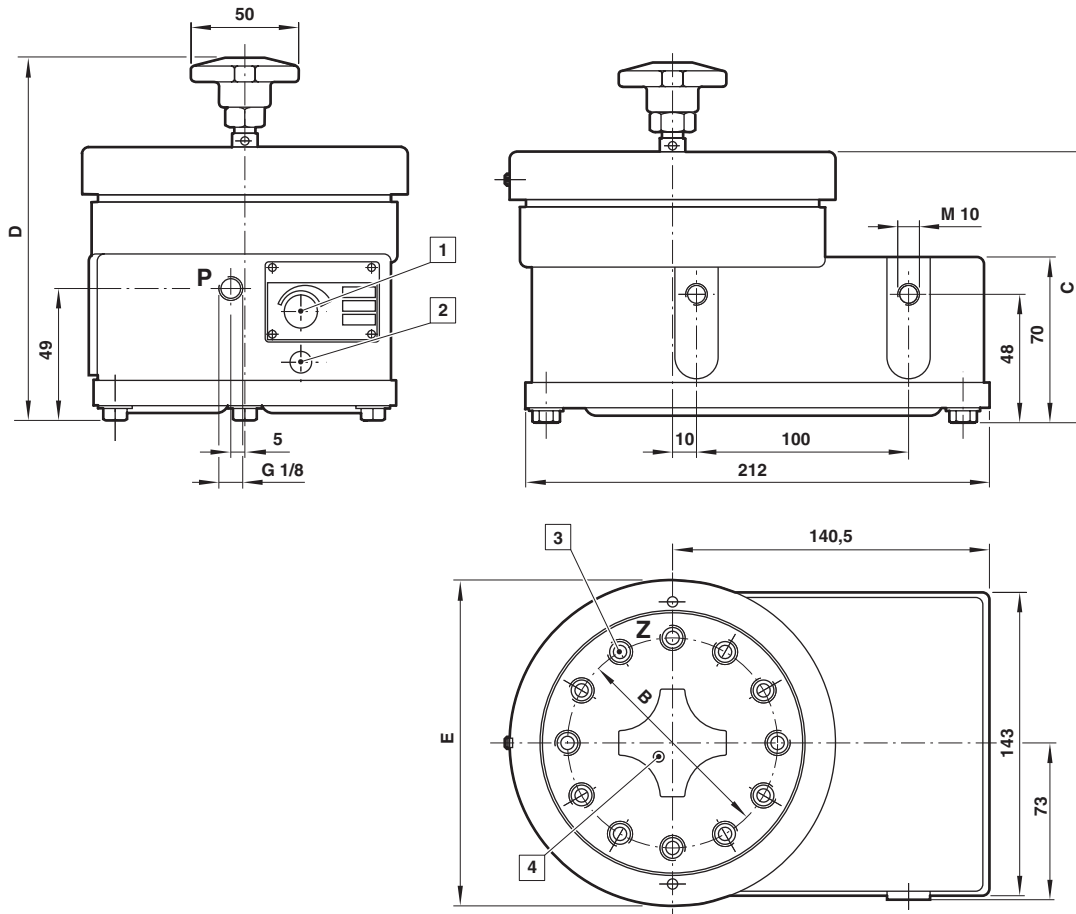
Section View


No.	Description
1901	Body
1902	Ratchet drive complete with wiper arm, gear, latch and compression spring
1903	Shouldered bush
*1904	Grooved ring
*1905	O-ring
*1906	Compression spring
*1907	Sealing bush
*1908	O-ring
1909	Round plate
1910	Grub screw
1911	Star knob
1912	Hexagon nut
1917	Spindle
1918	Washer
1919	Split pin
1921	Pneumatic cylinder complete with yoke

No.	Description
1924	Pneumatic timer
1925	Base plate
1927	Quick-action threaded union
1928	Cheese-head screw
1931	Screw fitting
1933	Rilsantube
1934	Silencer
1935	Body cover
1936	Gasket
1937	Locking bolt
1953	Gasket
*1954	Wiperring
1955	Plug
9900	Rating plate
9901	Half-round slotted pin
9902	Label

* These individual parts form a complete wearing unit.
When ordering spare parts please state Cat No. and Series No.

Dimensions

 Dimensions in mm
 Projection/First angle


- 1 Interval-Adjustment
- 2 Silencer
- 3 Control port G1/4
- 4 Dot indicates the position of the wiper arm

Number of control ports *1)	B	C	D	E	Model
10	95	115	167	150	8287054.0000.00000
12	100	115	167	150	8287154.0000.00000
14	100	115	167	150	8287254.0000.00000
16	140	125	170	190	8287354.0000.00000
20	140	125	170	190	8287554.0000.00000

*1) Control ports not required have to be sealed with a plug

Note to Pressure Equipment Directive (PED):

The valves of this series are according to Art. 4 § 3 of the Pressure Equipment Directive (PED) 2014/68/EU. This means interpretation and production are in accordance to engineers practice well-known in the member countries.

A certificate of conformity is not designated.

Note to EAC marking:

The EAC-marked products comply with the applicable requirements stated in the technical regulations of the Eurasian Economic Union.