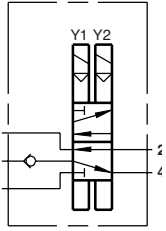


XSz 10 V Safety valves

Fail-safe double valves

5/2, G $\frac{1}{2}$



Inherently fail safe without residual pressure

Dynamic self - monitoring

Double valve control system

For safety functions (double acting cylinder, rotary actuator etc.)

Technical data

Medium:

Compressed air, filtered, lubricated and non-lubricated

Operating pressure:

3 to 10 bar

Ambient temperature:

-10°C to +55°C

Consult our Technical Service for use below +2°C.

Materials

Body: aluminium

Seals: polyurethane (AU & NBR)

Alternative models

Pilot operated model

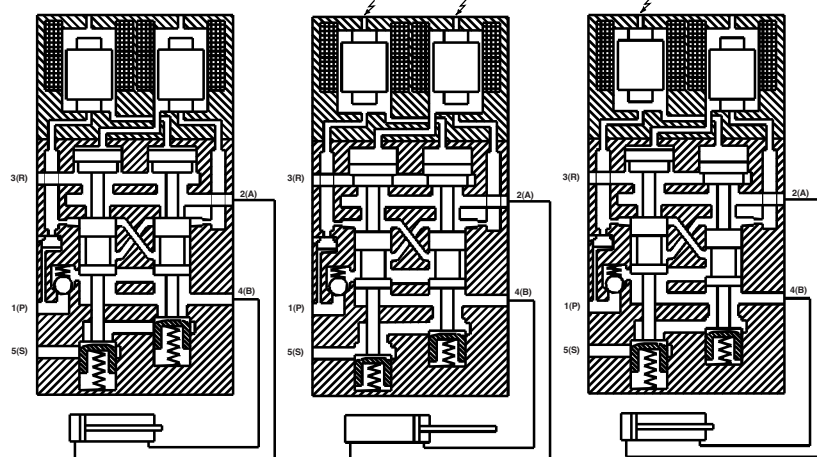
Type	Voltage	Port size	P	A	A1	R	B	S	Model
XSz 10 V*	a.c.	G1/2	G1/2	G1/2	G1/2	G3/4	G1/2	G1/2	24929500200*****
XSz 10 V*	d.c.	G1/2	G1/2	G1/2	G1/2	G3/4	G1/2	G1/2	24929510200*****

***** Insert voltage code from table below. Supplied without plugs. If required, select model 0570275, see page 384

* With integrated silencer (not shown)

Voltage codes

Voltage	Code
24 V d.c.	02400
24 V a.c.	02450
110 V a.c.	11050
230 V a.c.	23050



Neutral position

Activator position

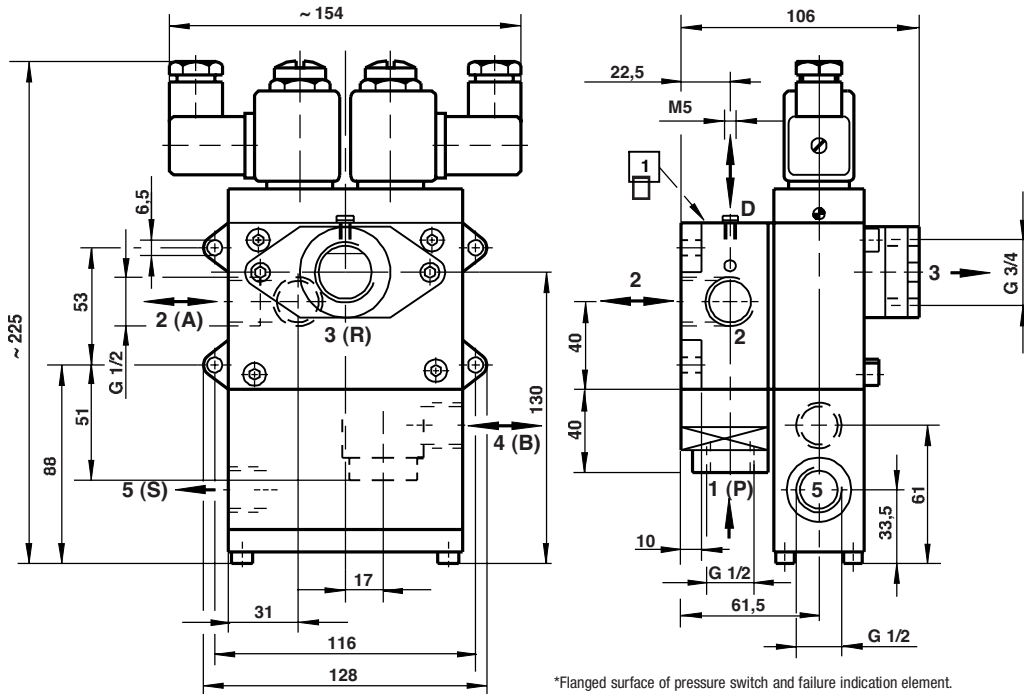
Malfunction position

1 = Air pressure port. 2 & 4 = Power port 3 & 5 = Exhaust

XSz 10 V Safety valves

Fail-safe double valves

5/2, G $\frac{1}{2}$



*Flanged surface of pressure switch and failure indication element.
Silencer not shown

