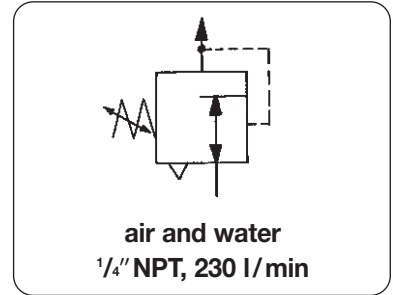


<b>Description</b>	Precision pressure regulator available with brass, aluminium or stainless steel body. Diaphragm with relieving valve and constant bleed for precise regulation. No bleed / relief diaphragm for applications with corrosive or toxic media.		
<b>Supply pressure</b>	max. 14 bar / 200 psi for brass or aluminium	max. 21 bar / 300 psi for stainless steel	
<b>Flow capacity</b>	230 l/min / 7 scfm for 10 bar / 150 psi supply and 4 bar / 60 psi set pressure		
<b>Air consumption</b>	< 2 l/min / 0.07 scfm for regulator with high precision, relieving and constant bleed for regulator for liquid, corrosive or toxic media		
<b>Sensitivity</b>	0.5 mbar / 0.2" W.C. (relief bleed). Outlet pressure change of 7 mbar / 0.1 psi for 1.7 bar supply fluctuation		
<b>Temperature range</b>	-30 °C to 66 °C / 150 °F (NBR)	-40 °C to 93 °C / 200 °F (Viton, EPDM / silicon)	-50 °C to 180 °C / 360 °F (Ni-Span)
<b>Body</b>	brass, 316SS		
<b>Bonnet</b>	aluminium, brass, 316SST		
<b>Diaphragm</b>	NBR (Buna N), Teflon/NBR, Ni-Span "C", Teflon/NBR		
<b>Nozzle</b>	brass / SST, 302/303SST, 316SST		
<b>Range spring</b>	cadmium-plated steel or 316SST		



body	Material spring cage	diaphragm	Pressure range bar	Order number
------	-------------------------	-----------	--------------------------	-----------------

## Precision regulator 1/4" NPT 230 l/min, relieving constant bleed GH10

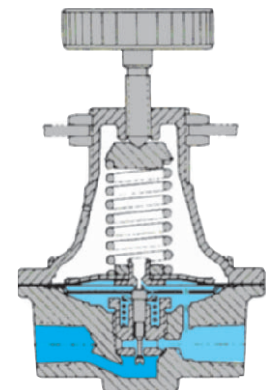
				6	7	8	9	10	11	12			
brass	aluminium	NBR	0...0.20	GH10X	T	H	C	X	X	X	L		
			0...0.35	GH10X	T	H	C	X	X	X	A		
			0...1.0	GH10X	T	H	C	X	X	X	B		
			0...1.7	GH10X	T	H	C	X	X	X	C		
			0...2.4	GH10X	T	H	C	X	X	X	D		
brass	brass	NBR	0...3.5	GH10X	T	H	C	X	X	X	E		
			0...8.6	GH10X	T	H	C	X	X	X	G		
			all press. ranges	GH10X	T	H	C	X	B	X	.		
			SST 316	brass	Teflon/NBR	all press. ranges*3	GH10X	T	1	0	1	4	.
			SST 316	brass	Teflon/NBR	all press. ranges*3	GH10X	T	2	2	3	0	.
			SST 316	brass	Ni-Span C	0...2.4 or 4.2 bar*3 (F)	GH10X	T	1	1	6	6	.
SST 316	SST 316	Teflon	all press. ranges	GH10X	T	H	R	X	X	.			
SST 316	SST 316	Teflon	all press. ranges	GH10X	T	H	H	X	S	X			



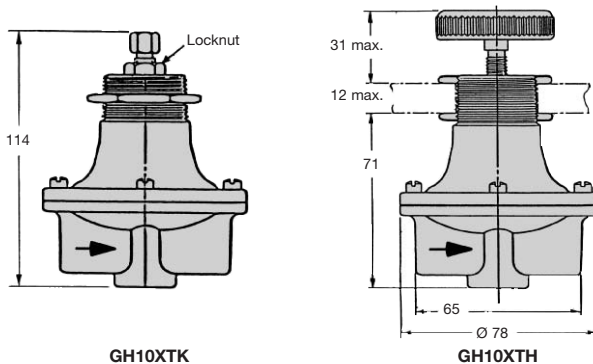
GH10XTH...

## Special options add the appropriate letter

<b>6</b> spring cage with	fixed thread at spring cage as standard	T	GH10X	T	.	.	.	.	.	.
	tapped exhaust 1/8" NPT	A	GH10X	A	.	.	.	.	.	.
<b>7</b> adjusted with	handwheel, standard	H	GH10X	.	H	.	.	.	.	.
	hexagonal bolt	K	GH10X	.	K	.	.	.	.	.
	tamper-proof	C	GH10X	.	C	.	.	.	.	.
<b>8</b> diaphragm	NBR const. bleed relieving	C	GH10X	.	.	C	.	.	.	.
	NBR*1 relieving E non-relieving	M	GH10X	.	.	M	.	.	.	.
	Viton*1 relieving J non-relieving	F	GH10X	.	.	F	.	.	.	.
	Teflon*2 const. bleed relieving	R	GH10X	.	.	R	.	.	.	.
	Teflon*1 relieving*2 H non-relieving	A	GH10X	.	.	A	.	.	.	.
	Silicone*1 relieving G non-relieving	B	GH10X	.	.	B	.	.	.	.
	EPDM*1 relieving L non-relieving	N	GH10X	.	.	N	.	.	.	.
	Neoprene*1 relieving D non-relieving	P	GH10X	.	.	P	.	.	.	.
<b>9</b> valve seat	NBR see above: standard	X	GH10X	.	.	.	X	.	.	.
	Neoprene B Viton	C	GH10X	.	.	.	C	.	.	.
	metal seat, 20 ml/min D consump < 15 ml/min	F	GH10X	.	.	.	F	.	.	.
<b>10</b> body + spring cage	brass B see above: standard	X	GH10X	.	.	.	.	X	.	.
<b>11</b> for oxygen	clean A industrial	X	GH10X	.	.	.	.	.	X	.
<b>12</b> pressure range	see above	A, B, C, D, E, G, L	GH10X	.	.	.	.	.	.	G



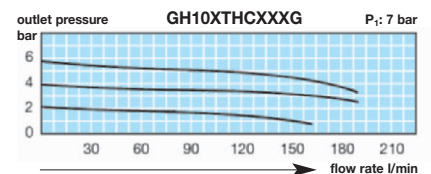
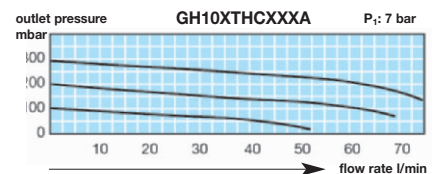
GH10, relieving, with constant bleed



GH10TK

GH10XTH

\*1 without constant bleed \*2 both sides coated \*3 non-relieving, no constant bleed



<b>For your information:</b>	1 bar: 14.8 psi	1 l/min: 0.035 scfm	1 mm: 0.039 inch
	1 psi: 0.069 bar	1 scfm: 28.3 l/min	1 inch: 25.4 mm

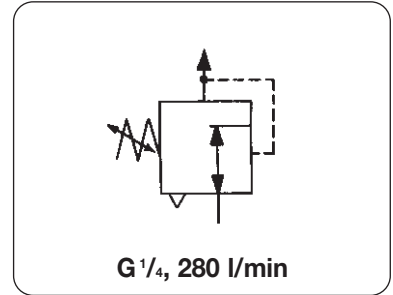


Order example:  
GH10XTHCXXXG

# Precision Pressure Regulator

11-818

<b>Description</b>	Precision pressure regulator designed for precise pressure control in the event of disturbances in flow and supply pressure.
<b>Media</b>	Air or dry gases, oil-free, filtered to over 25 µm.
<b>Supply pressure</b>	11-818-999: max.8 bar/120 psi, 11-818-100: max. 10 bar/150 psi, 11-818-110: max. 14 bar/200 psi
<b>Flow capacity</b>	280 l/min / 10 scfm at 7 bar / 100 psi supply pressure and 1.4 bar / 20 psi outlet pressure
<b>Relieving</b>	high sensitivity and flow
<b>Air consumption</b>	max. 2 l/min / 0.07 scfm constant bleed
<b>Gauge port</b>	1/2" only for regulator 11-818-987/991/993
<b>Accuracy</b>	max. 20 mbar pressure drop with varying supply pressure, max. 30 mbar with varying flow
<b>Temperature range</b>	-10 °C to 70 °C / 14 °F to 160 °F
<b>Materials</b>	Zinc, brass and NBR (Buna N)



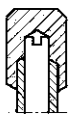
Description	Supply pressure max. bar	Flow rate l/min*	Connection thread G	Pressure range bar	Order number
-------------	-----------------------------	---------------------	------------------------	-----------------------	--------------

Precision pressure regulator	accuracy 30 mbar, K <sub>v</sub> = 0.15 (m <sup>3</sup> /h), constant bleed			11-818	
handwheel w/o gauge port	8	280	G <sup>1</sup> / <sub>4</sub>	0.02...0.5	11-818-999
	10			0.07... 4	11-818-100
	14			0.4 ... 10	11-818-110
handwheel gauge port G <sup>1</sup> / <sub>4</sub>	8	280	G <sup>1</sup> / <sub>4</sub>	0.02...0.5	11-818-987
	10			0.07... 4	11-818-993
	14			0.4 ... 10	11-818-991
spindle	8	280	G <sup>1</sup> / <sub>4</sub>	0.02...0.5	11-818-998
	10			0.07... 4	11-818-101
	14			0.4 ... 10	11-818-112

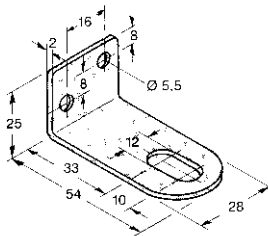


11-818-100

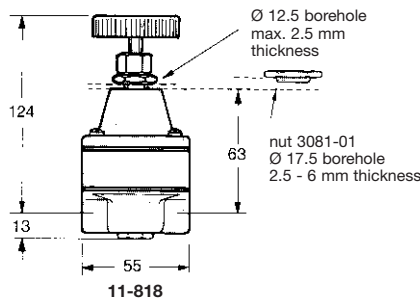
Special options	add the appropriate letter	Accessories
lockable	with key	A 11-818-... A
tamper-proof cap	639-02 threaded over spindle	T 11-818-... T
panel mounting nut	3081-01 metal thickness 2.5 - 6 mm	P 11-818-... P
mounting bracket	SA-11.818 (D500 159 014)	X 11-818-... X



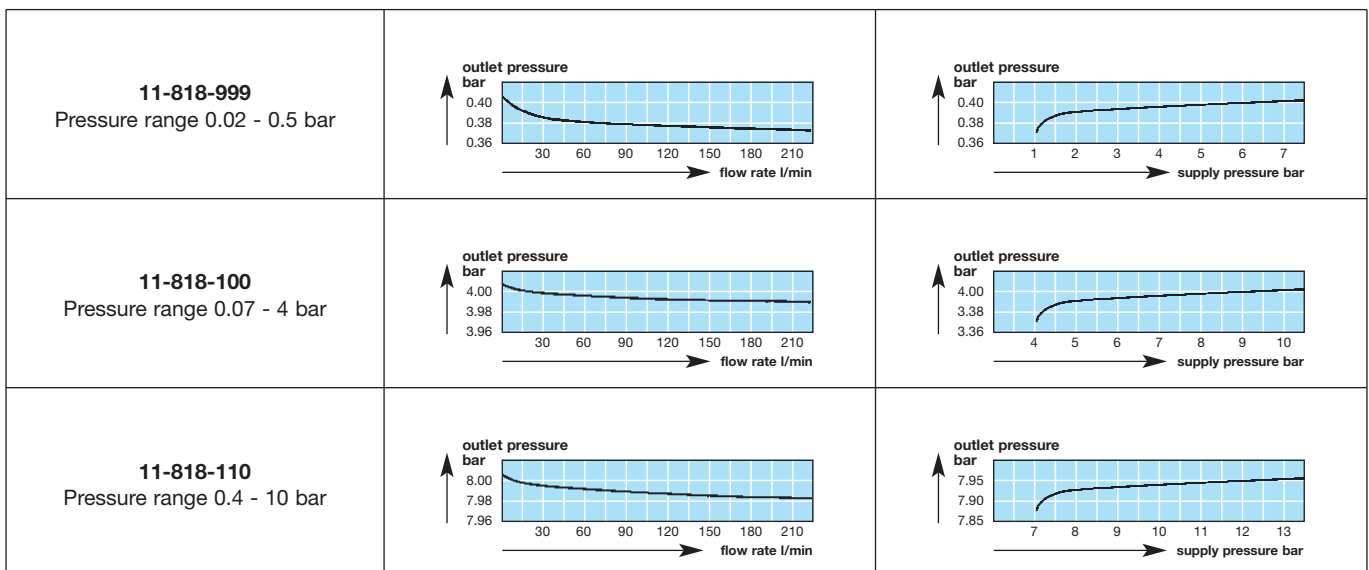
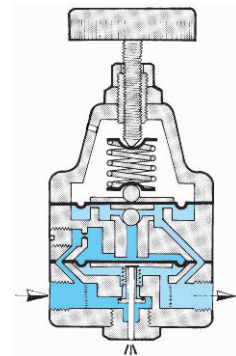
tamper-proof cap



mounting bracket



11-818



\* at 7 bar supply pressure and 1.4 bar outlet pressure

<b>For your information:</b>	1 bar: 14.8 psi	1 l/min: 0.035 scfm	1 mm: 0.039 inch
	1 psi: 0.069 bar	1 scfm: 28.3 l/min	1 inch: 25.4 mm



**Order example:**  
11-818-100