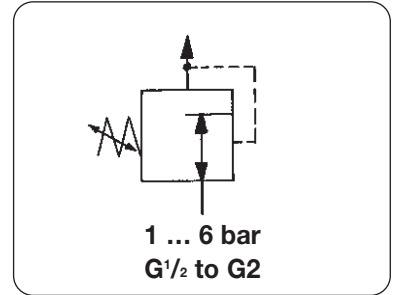


|                          |   |   |
|--------------------------|---|---|
| <b>Description</b>       | Pressure regulator with diaphragm for drinking water or compressed air. Non-relieving.                        |   |
|                          | <b>RW1</b>  | <b>RW2</b>  |
| <b>Special features</b>  | Small, low-cost<br>High-capacity filter in body   | With display for outlet pressure and filter<br>Preselection of desired pressure without need for gauge. |
| <b>Supply pressure</b>   | max. 40 bar   | max. 25 bar   |
| <b>Ports</b>             | G $\frac{1}{2}$ to G1, female thread  | $\frac{1}{2}$ " to 2", union nipples  |
| <b>Gauge port</b>        | 1 port on the side for outlet pressure  |   |
| <b>Temperature range</b> | 0 °C to 85 °C / 32 °F to 185 °F for water   | 0 °C to 70 °C / 32 °F to 160 °F for compressed air  |
| <b>Material</b>          | Body: sandblasted brass<br>Elastomer: NBR (Buna N)<br>Handwheel: ABS<br>Inner valve: brass or stainless steel |   |



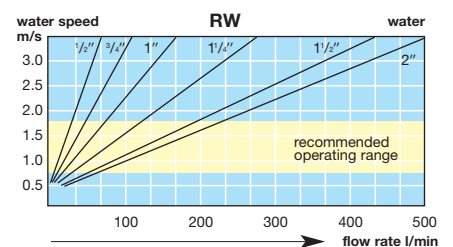
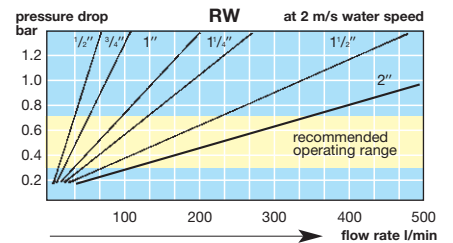
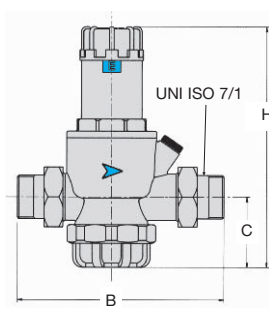
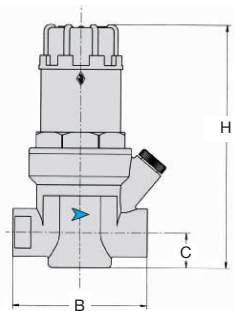
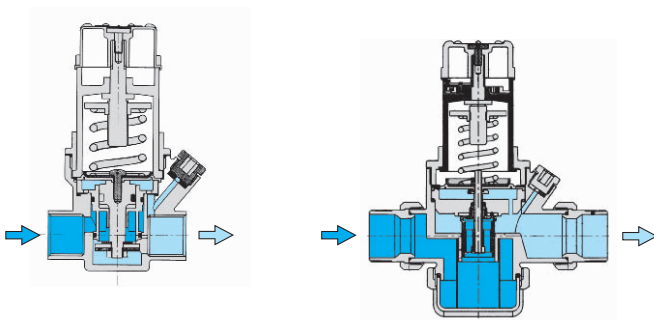
| Dimensions |    |    | Supply pressure | Nominal size | Flow rate | Connection thread | Order number |
|------------|----|----|-----------------|--------------|-----------|-------------------|--------------|
| H          | B  | C  | max. bar        | DN           | l/min*    | G/nipple          |              |
| mm         | mm | mm |                 |              |           |                   |              |

| Pressure regulator 1 ... 6 bar |     |    | non-relieving, of brass for water |       |     | RW                        |                 |
|--------------------------------|-----|----|-----------------------------------|-------|-----|---------------------------|-----------------|
| 122                            | 68  | 18 | 40 bar                            | DN 15 | 25  | G $\frac{1}{2}$           | <b>RW1 - 04</b> |
| 134                            | 78  | 18 |                                   | DN 20 | 45  | G $\frac{3}{4}$           | <b>RW1 - 06</b> |
| 137                            | 81  | 20 |                                   | DN 25 | 80  | G1                        | <b>RW1 - 08</b> |
| 145                            | 140 | 44 | 25 bar                            | DN 15 | 25  | $\frac{1}{2}$ "a nipple   | <b>RW2 - 04</b> |
| 160                            | 160 | 46 |                                   | DN 20 | 45  | $\frac{3}{4}$ "a nipple   | <b>RW2 - 06</b> |
| 168                            | 181 | 51 |                                   | DN 25 | 80  | 1"a nipple                | <b>RW2 - 08</b> |
| 168                            | 190 | 51 |                                   | DN 32 | 120 | 1 $\frac{1}{4}$ "a nipple | <b>RW2 - 10</b> |
| 194                            | 218 | 62 |                                   | DN 40 | 180 | 1 $\frac{1}{2}$ "a nipple | <b>RW2 - 12</b> |
| 198                            | 240 | 68 |                                   | DN 50 | 300 | 2"a nipple                | <b>RW2 - 16</b> |



### Special options add the appropriate letter

|              |           |      |                               |          |                    |
|--------------|-----------|------|-------------------------------|----------|--------------------|
| <b>gauge</b> | MA5002-06 | Ø 50 | for regulator G $\frac{1}{2}$ | <b>G</b> | RW . - 04 <b>G</b> |
| <b>gauge</b> | MA6302-06 | Ø 63 | for all other regulators      | <b>G</b> | RW . . . <b>G</b>  |



\* at 2 m/s water speed

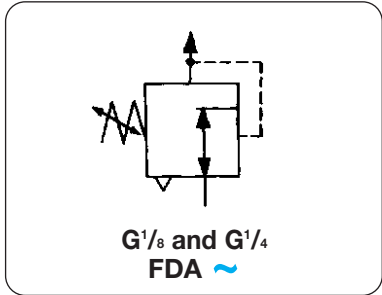
|                              |                  |                     |                  |
|------------------------------|------------------|---------------------|------------------|
| <b>For your information:</b> | 1 bar: 14.8 psi  | 1 l/min: 0.035 scfm | 1 mm: 0.039 inch |
|                              | 1 psi: 0.069 bar | 1 scfm: 28.3 l/min  | 1 inch: 25.4 mm  |

**Order example:**  
**RW1 - 08**



# Plastic Pressure Regulator for Compressed Air and Water ~ R26 / R27 / R45

|                          |   |                                  |
|--------------------------|---|----------------------------------|
| <b>Description</b>       | Miniature pressure regulator with diaphragm, designed for compressed air and water applications. All internal wetted sections are corrosion-resistant, lead free and without any brass components. Regulator for modular application with many integrated fixing holes. Non-relieving design suitable for water. Tamper-proof cap with snap-lock. |                                  |
| <b>FDA-approved</b>      | for the materials   |                                  |
| <b>Control system</b>    | R26: with piston  | R27: with convoluted diaphragm   |
| <b>Supply pressure</b>   | R45: with diaphragm   |                                  |
| <b>Gauge port</b>        | max. 10 bar for R27 and R45, min. 0.5 bar over outlet pressure  |                                  |
| <b>Temperature range</b> | G $\frac{1}{8}$ on sides on R45   |                                  |
| <b>Materials</b>         | G $\frac{1}{8}$ on sides on R26 and R27   |                                  |
|                          | 0 °C to 52 °C / 32 °F to 125 °F operating temperature<br>-20 °C to 70 °C / -4 °F to 160 °F storage temperature  |                                  |
|                          | Body, spring cage: glass-filled acetal  | Diaphragm: NBR, nylon reinforced |
|                          | Knob, valve tappet: glass-filled acetal   | Valve seat: NBR and plastic      |



| Dimensions | K <sub>v</sub> -value | Flow rate | Connection | Pressure | Order number | Order number |
|------------|-----------------------|-----------|------------|----------|--------------|--------------|
| B H        | value                 | water     | thread     | range    | regulator    | regulator    |
| mm mm      | (m <sup>3</sup> /h)   | l/min*    | G          | bar      | for water    | for air      |

| Miniature pressure regulator |    |      | supply max. 9 bar |               |                 |       |          |         |
|------------------------------|----|------|-------------------|---------------|-----------------|-------|----------|---------|
|                              |    |      | piston-regulated  | non-relieving | relieving       | R26   |          |         |
| 40                           | 75 | 0.36 | 6                 | 480           | G $\frac{1}{8}$ | 0...1 | R26-010K | R26-010 |
|                              |    |      |                   |               |                 | 0...2 | R26-01AK | R26-01A |
|                              |    |      |                   |               |                 | 0...4 | R26-01BK | R26-01B |
|                              |    |      |                   |               |                 | 0...8 | R26-01CK | R26-01C |
| 40                           | 75 | 0.38 | 6                 | 500           | G $\frac{1}{4}$ | 0...1 | R26-020K | R26-020 |
|                              |    |      |                   |               |                 | 0...2 | R26-02AK | R26-02A |
|                              |    |      |                   |               |                 | 0...4 | R26-02BK | R26-02B |
|                              |    |      |                   |               |                 | 0...8 | R26-02CK | R26-02C |



| Pressure regulator for water |    |      | precise regulation, FDA convoluted diaphragm | non-relieving max. 10 bar | R27   |          |
|------------------------------|----|------|--|---------------------------|-------|----------|
| 40                           | 75 | 0.24 | 4  | G $\frac{1}{8}$           | 0...2 | R27-01AK |
|                              |    |      |  |                           | 0...4 | R27-01BK |
|                              |    |      |  |                           | 0...8 | R27-01CK |
| 40                           | 75 | 0.24 | 4  | G $\frac{1}{4}$           | 0...2 | R27-02AK |
|                              |    |      |  |                           | 0...4 | R27-02BK |
|                              |    |      |  |                           | 0...8 | R27-02CK |

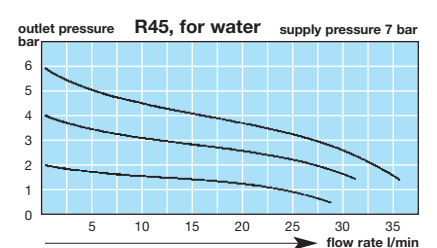
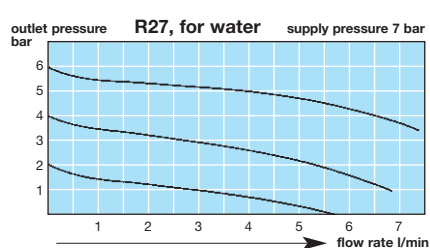
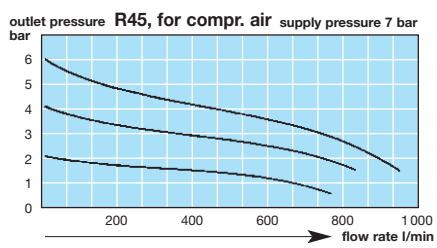
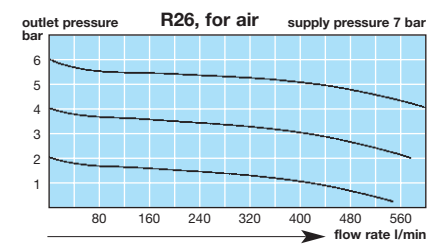
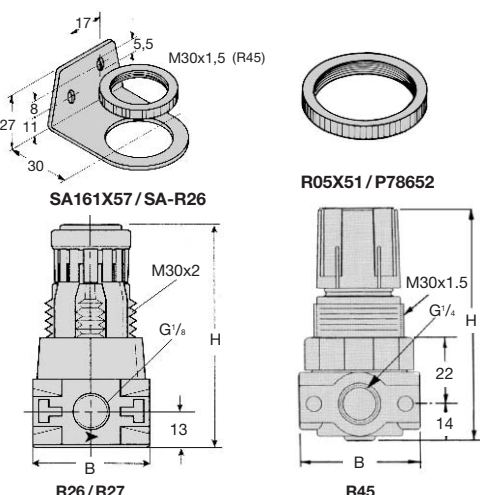


| Regulator for high flow |    |      | supply max. 10 bar | non-relieving | relieving       | R45     |          |         |
|-------------------------|----|------|--------------------|---------------|-----------------|---------|----------|---------|
| 52                      | 87 | 0.57 | 10                 | 680           | G $\frac{1}{4}$ | 0...1.8 | R45-02AK | R45-02A |
|                         |    |      |                    |               |                 | 0...4   | R45-02BK | R45-02B |
|                         |    |      |                    |               |                 | 0...9   | R45-02CK | R45-02C |
| 52                      | 87 | 0.80 | 13                 | 960           | G $\frac{3}{8}$ | 0...1.8 | R45-03AK | R45-03A |
|                         |    |      |                    |               |                 | 0...4   | R45-03BK | R45-03B |
|                         |    |      |                    |               |                 | 0...9   | R45-03CK | R45-03C |



## Special options add the appropriate letter

|                        | R26 and R27 | R45      | G | R...0...G |
|------------------------|-------------|----------|---|-----------|
| round gauge            | Ø 40        | Ø 50     | P | R...0...P |
| plastic mounting nut   | P78652      | R05X51   | Q | R...0...Q |
| aluminium mounting nut | -           | R05X51A  | X | R...0...X |
| mounting bracket + nut | SA-R26      | SA161X57 |   |           |



\* at 7 bar supply pressure, 6 bar outlet pressure and Δp = 1 bar

Order example: R25-02C