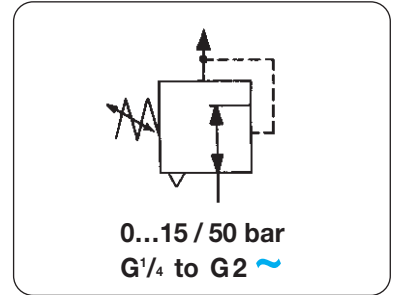


Description	Pressure regulator of solid design. No air consumption or constant bleed. Ideal for water or liquid applications.	
Adjustment	1/2" regulator, black adjusting knob T-handle with locking nut for all other regulators.	
Supply pressure	max. 30 bar / 450 psi, see chart	max. 50 bar / 740 psi, see chart
Relieving	standard, for compressed air	non-relieving, as option for water
Gauge port	1/2" on both sides of body plug supplied	
Temperature range	-10 °C to 90 °C / 14 °F to 200 °F with NBR (Buna N) -30 °C to 120 °C / -22 °F to 250 °F with FPM (Viton) -30 °C to 110 °C / -22 °F to 230 °F with EPDM for oxygen	
Materials	Body and spring cage: brass (<1/2"), bronze (>1/2") Diaphragm or seals: NBR (Buna N) standard	Inner valve: brass Option: FPM or EPDM



Dimensions			K _v -value	Flow rate	Reg. System	Supply pressure	Connection thread	Pressure range	Order number
A	B	C	(m ³ /h)	l/min*	D: diaphragm P: piston	max. recom.	G	bar	

Pressure regulator up to 50 bar										
brass and NBR, 30/50 bar relieving, without gauge, for air										
64	150	34	0.35	420	D	30	6	G 1/4	0.1 ... 1.5	R120-02A
					D	30	10		0.2 ... 3	R120-02B
					D	30	15		0.5 ... 8	R120-02C
					D	30	30		1 ... 15	R120-02D
					D	50	50		1 ... 15	R120-02E
					P	50	50		2 ... 30	R120-02F
					P	50	50		3 ... 50	R120-02G
80	165	38	1.0	1200	D	30	6	G 1/2	0.1 ... 1.5	R120-04A
					D	30	10		0.2 ... 3	R120-04B
					D	30	15		0.5 ... 8	R120-04C
					D	30	30		1 ... 15	R120-04D
					D	50	50		1 ... 15	R120-04E
					P	50	50		2 ... 30	R120-04F
					P	50	50		3 ... 50	R120-04G
132	295	65	4.2	5000	D	30	6	G1	0.1 ... 1.5	R120-08A
					D	30	10		0.2 ... 3	R120-08B
					D	30	15	R120-06.	0.5 ... 8	R120-08C
					D	30	30	für G 3/4	1 ... 15	R120-08D
					P	50	50		2 ... 30	R120-08E
					P	50	50		3 ... 50	R120-08G
205	360	110	12.6	15000	P	50	6	G2	0.1 ... 1.5	R120-16A
					P	50	10		0.2 ... 3	R120-16B
					P	50	15	R120-12.	0.5 ... 8	R120-16C
					P	50	30	für G 1 1/2	1 ... 15	R120-16D
					P	50	50		2 ... 30	R120-16E
					P	50	50		3 ... 50	R120-16G



R120-02DG

R120-04CG



R120-08EG

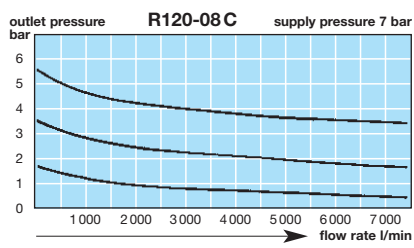
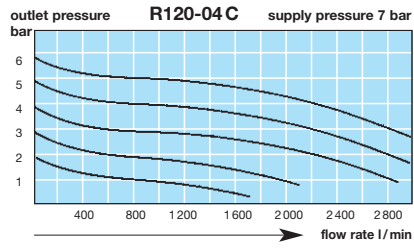
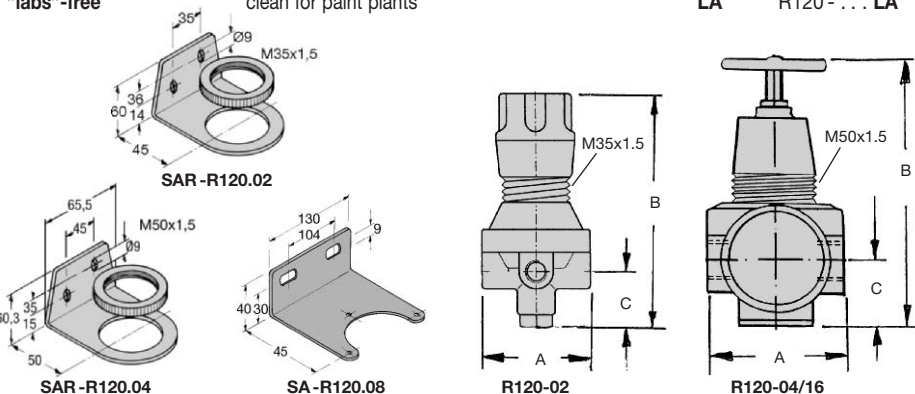


R120-12EG

Special options add the appropriate letter

non-relieving	for gases or liquids	K	R120-... K
pressure gauge	loose up to 25 bar > 30 bar	G	R120-... G
pressure gauge	for oxygen, loose up to 25 bar	GO	R120-... GO
NPT thread		N	R120-... N
acetylene (1.5 bar)	C ₂ H ₂ : 19	argon Ar: 05	water H ₂ O: W
carbon dioxide	CO ₂ : 03	methane CH ₄ : 13	propane C ₃ H ₈ : 16
oxygen	O ₂ : 15	helium He: 09	hydrogen H ₂ : 11
mounting bracket + nut	SAR-R120.02 (G1/4)	SAR-R120.04 (G1/2)	X
mounting bracket	SA -R120.08 (G1)	SA -R120.16 (G2)	X
panel mounting nut	SM -R120.02 (G1/4)	SM -R120.04 (G1/2)	P
T-handle	instead of knob	only R120-02	T
"labs"-free	clean for paint plants		LA

Accessories



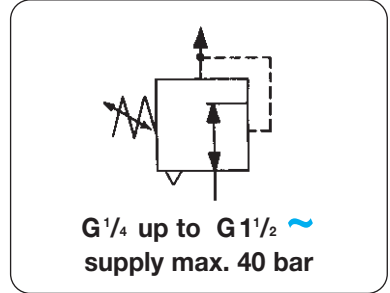
* at 7 bar supply pressure, 6 bar outlet pressure and 1 bar pressure drop

For your information:	1 bar: 14.5 psi	1 l/min: 0.035 scfm	1 mm: 0.039 inch
	1 psi: 0.069 bar	1 scfm: 28.3 l/min	1 inch: 25.4 mm

Order example:
R120-02C



Description	Diaphragm-operated regulator of solid design. No air consumption, no constant bleed. For compressed air with relieving diaphragm, for water with non-relieving diaphragm.	
Adjustment	Handwheel with locking screw for regulators up to 1/2" T-handle with locking nut for 3/4" to 1 1/2" regulators, with hexagonal spindle for range > 16 bar	
Supply pressure	max. 40 bar / max. 600 psi	
Relieving	Standard for compressed air,	non-relieving as option for water
Gauge port	1/4" on both sides of the body,	plug supplied
Mounting bracket	On spring cage for regulators up to 1/2",	on body for 3/4" to 1 1/2" regulators
Temperature range	-10 °C to 90 °C / 14 °F to 200 °F	-30 °C to 110 °C / -22 °F to 230 °F storage
Materials	Body: brass Diaphragm: NBR (Buna Perbunan)	

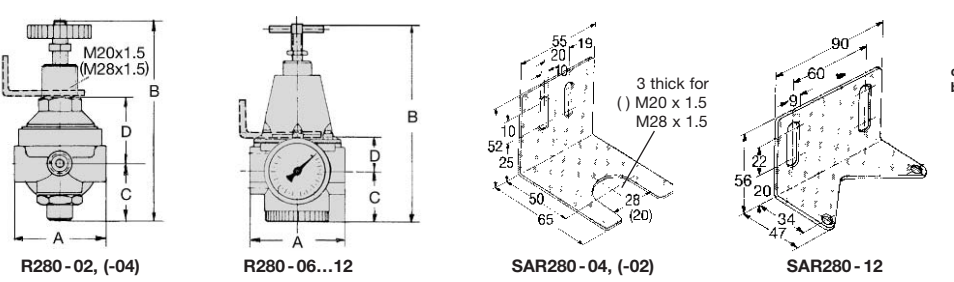


Dimensions				Pressure adjustm. by	K _v - value (m ³ /h)	Air flow m ³ /h*1 l/min*1	Connection thread G	Pressure range bar	Order number
A	B	C	D						

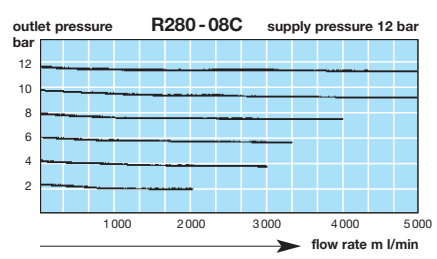
Pressure regulator										supply max. 40 bar brass, relieving, without gauge	R280
45	104	23	33	handwheel	0.3	27	450	G 1/4	0.2 ... 3	3	R280 - 02A
									0.2 ... 6	6	R280 - 02B
									0.5 ... 10	10	R280 - 02C
									0.5 ... 16	16	R280 - 02D
72	155	31	51	handwheel	0.8	72	1200	G 1/2	0.2 ... 3	3	R280 - 04A
									0.2 ... 6	6	R280 - 04B
									0.5 ... 10	10	R280 - 04C
									0.5 ... 16	16	R280 - 04D
									0.5 ... 25	25	R280 - 04E
84	216	43		T-handle	3.5	250	4200	G 3/4*2	0.2 ... 6	6	R280 - 06B
				hex. spindle					0.5 ... 10	10	R280 - 06C
									0.5 ... 16	16	R280 - 06D
									0.5 ... 25	25	R280 - 06E
84	216	43		T-handle	4.2	300	5000	G 1	0.2 ... 6	6	R280 - 08B
				hex. spindle					0.5 ... 10	10	R280 - 08C
									0.5 ... 16	16	R280 - 08D
									0.5 ... 25	25	R280 - 08E
125	235	50		T-handle	7.2	510	8600	G 1 1/4*2	0.2 ... 3	3	R280 - 10A
									0.2 ... 6	6	R280 - 10B
									0.5 ... 10	10	R280 - 10C
				hex. spindle					0.5 ... 16	16	R280 - 10D
									0.5 ... 25	25	R280 - 10E
113	235	50		T-handle	8.1	580	9600	G 1 1/2	0.2 ... 3	3	R280 - 12A
									0.2 ... 6	6	R280 - 12B
									0.5 ... 10	10	R280 - 12C
				hex. spindle					0.5 ... 16	16	R280 - 12D
									0.5 ... 25	25	R280 - 12E



Special options	add the appropriate letter	Accessories
pressure gauge	Ø 50, G ^{1/4} + G ^{1/2} , all other Ø 63, not for O ₂	G R280 - . . . G
non-relieving	~ for liquids	K R280 - . . . K
EPDM elastomer	for brake fluid, non-relieving	E R280 - 02. KE
for oxygen	clean	O R280 - . . . O
panel mounting nut	SAR280 - M2 for G ^{1/4}	P R280 - . . . P
mounting bracket + nut	SAR280 - 02 for G ^{1/4}	X R280 - . . . X
mounting bracket	SAR280 - 12 for G ^{3/4} up to G ^{1 1/2}	X R280 - . . . X



*1 at 7 bar supply pressure, 6 bar outlet pressure *2 reduced from next bigger thread



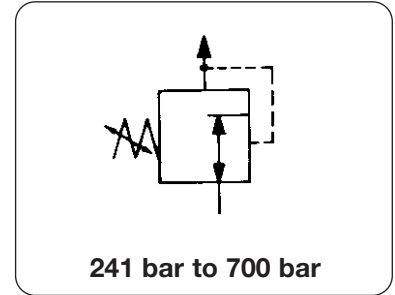
For your information:	1 bar: 14.5 psi	1 l/min: 0.035 scfm	1 mm: 0.039 inch	Pressure gauge: Please consult chapter "Gauges"
	1 psi: 0.069 bar	1 scfm: 28.3 l/min	1 inch: 25.4 mm	

Order example:
R280 - 08C

High Pressure Regulator for 241 to 700 bar

HP

Description	Compact hand-operated, spring-loaded, high pressure regulator with high sensitivity over a wide range of pressure settings. Standard regulator of brass, stainless steel for higher pressures available as option.		
Accuracy	Effect of 7 bar / 100 psi supply pressure fluctuation		
Supply pressure	HP300: 0.15 bar / 2.2 psi	HP400: 0.25 bar / 3.6 psi	HP500: 0.07 bar / 1 psi
	HP300: 415 bar / 6000 psi (brass)	HP400: 415 bar / 6000 psi (brass)	HP500: 241 bar / 3500 psi (brass)
	HP300: 700 bar / 10000 psi (SS)	HP400: 415 bar / 6000 psi (brass)	
Relieving	Non-relieving as standard Relieving to atmosphere as option		
Gauge port	2 ports 1/4" NPT, shifted by 70° for gauge and relief valve		
Proof pressure	150% of maximum operating pressure		
Boost pressure	400% of maximum operating pressure		
Leakage	Bubble-tight		
Temperature range	-40 °C to 75 °C / -40 °F to 170 °F		
Materials	Body: brass	Spring cage: brass (HP300) Spring cage: nickel-plated (HP400/500)	Valve seat: Teflon (HP400/500) Valve seat: Vespel (HP300)
	Seals: NBR (Buna N)	Diaphragm: stainless steel (HP500)	



Dimensions	Gauge connection	K _v -value	Flow rate	Pressure range	Order number
mm	mm	2 piec. 1/4" NPT	(m³/h)	l/min*	bar

Regulator with piston, 415 bar		1/4" NPT, brass, non-relieving		HP300	
173	53	70° shift	0.06	1 500	0.3... 35
					0.6... 55
					1 ...105
					2 ...175
					3 ...280
					4 ...415



Regulator with piston, 415 bar		1/4" NPT, brass, non-relieving		HP400	
137	50	70° shift	0.06	1 500	3...172

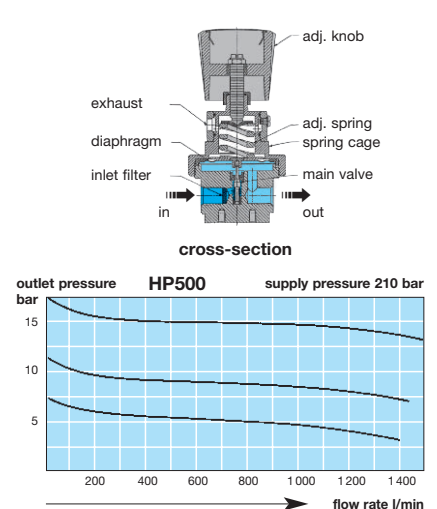
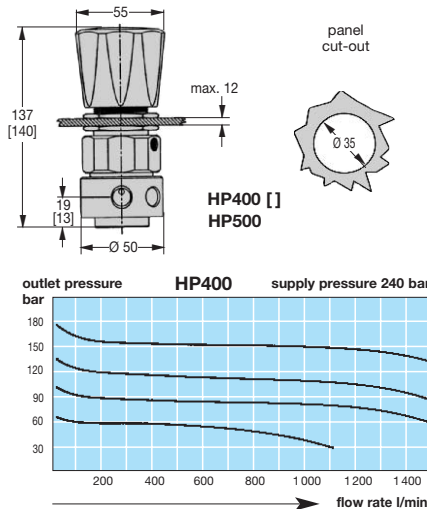
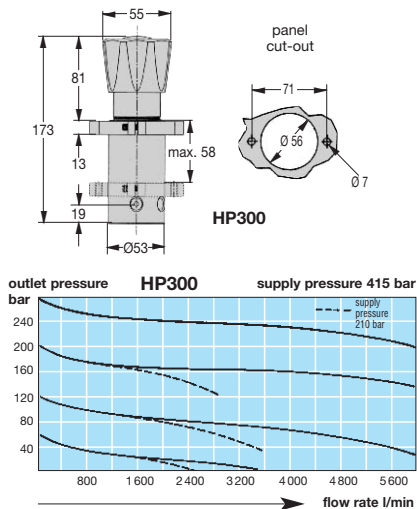


Regulator with diaphragm, 241 bar		1/4" NPT, brass, non-relieving		HP500	
137	50	70° shift	0.06	1 500	0 ... 1.7
					0 ... 3.5
					0 ... 7.0
					0.2... 17
					0.3... 35



Special options add the appropriate letter

relieving	HP300-... V	HP400-... V	V	HP500-... V
stainless steel 316	HP300-... S (700 bar)	HP400-... S	S	HP500-... S
pressure gauge, brass	inlet H plastic and brass	outlet	G	HP500-... G
pressure gauge, SST	inlet H stainless steel	outlet	G	HP500-... G
for oxygen	clean	<200 bar	O	HP .00-... O
mounting bracket	HP300-BEF	HP 300	P	HP300-... P
panel mounting nut	HP400-BEF	HP 400/500	P	HP .00-... P
flange connection	of brass, DIN 477, W 96 mm	indicate gas	F	HP .00-... F
flange connection	of stainless steel	indicate gas	F	HP .00-... F



* at 240 bar supply pressure and 30 bar outlet pressure

For your information:	1 bar: 14.5 psi	1 l/min: 0.035 scfm	1 mm: 0.039 inch	Pressure gauge: Please consult chapter "Gauges"
	1 psi: 0.069 bar	1 scfm: 28.3 l/min	1 inch: 25.4 mm	

Order example:
HP500 - 034