

2/2-way valves DN 8 to DN 50

for neutral gaseous and liquid fluids

Indirectly solenoid actuated

Piston valves

Internal threads G 1/4 to G 2 or 1/4" NPT to 2" NPT

Operating pressure 0.5 to 40 bar

40 bar Click-on®

85 300
85 310

Description (standard valve)

Solenoid valve for e.g. air, water

Switching function:	Normally closed
Flow direction:	determined
Fluid temperature:	-10 °C up to max. +90 °C
Ambient temperature:	-10 °C up to max. +50 °C
Mounting position:	optional, preferably solenoid vertical on top

Material

Body:	Brass
Seat seal:	NBR
Internal parts:	Stainless steel, Brass, PTFE

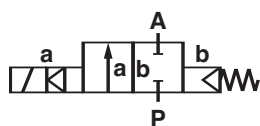


For contaminated fluids insertion of a strainer is recommended (see accessories).

Features

- Compact piston valve
- High flow rate
- Damped operation
- Simple compact design
- Solenoid in Click-on® design
- Stainless steel piston bushing

Symbol



Ordering information

To order, quote model number from table overleaf, e.g. 8530000.9151 for a G 1/4 valve with standard solenoid.

Characteristic data

See page 2 valve and solenoid informations

Detmolder Strasse 256
D-32545 Bad Oeynhausen
PO Box 10 02 52-53
D-32502 Bad Oeynhausen
Phone ++49 5731 / 791-0
Fax ++49 5731 / 791-179
<http://www.buschjost.com>
mail@buschjost.de

Characteristic data

Valves

Part Number. with DC or AC solenoid	Nominal Diameter (mm)	Port Size	Length (mm)	Operating Pressure *		kv-value ** (Base m ³ /h)	Weight (kg)
				min	max (bar)		
8530000.9151 8531000.9151	8	G 1/4 1/4" NPT	60	0,5	40	2,2	0,83
8530100.9151 8531100.9151	10	G 3/8 3/8" NPT	60	0,5	40	3,4	0,82
8530200.9151 8531200.9151	12	G 1/2 1/2" NPT	67	0,5	40	4,4	0,85
8530300.9151 8531300.9151	20	G 3/4 3/4" NPT	80	0,5	40	7,0	1,25
8530400.9151 8531400.9151	25	G 1 1" NPT	95	0,5	40	10,5	1,70
8530500.9151 8531500.9151	32	G 1 1/4 1 1/4" NPT	132	0,5	40	25,0	4,10
8530600.9151 8531600.9151	40	G 1 1/2 1 1/2" NPT	132	0,5	40	27,0	3,85
8530700.9151 8531700.9151	50	G 2 2" NPT	160	0,5	40	43,0	5,60

* with gaseous and liquid fluids up to 40 mm²/s (cSt)

State voltage [V] and frequency [Hz]

** C_V-value (US) ≈ k_V-value x 1,2

9151 Solenoid

Standard voltages

DC	AC	
	50 Hz	60 Hz
24 V	24 V	–
–	110 V	120 V
–	230 V	220 V

Design acc. to VDE 0580

Voltage range ±10 %

100 % duty cycle

Protection class acc. to EN 60529 IP65

Socket acc. to DIN EN 175301-803 (included)

Options (Valves)

- XXXXX01.XXXX Normally open (NO)
- XXXXX02.XXXX Manual override
- XXXXX03.XXXX Seat seal FPM,
max. fluid temperature +110 °C
- XXXXX14.XXXX Seat seal EPDM, for hot water,
max. fluid temperature +110 °C

On request Further versions

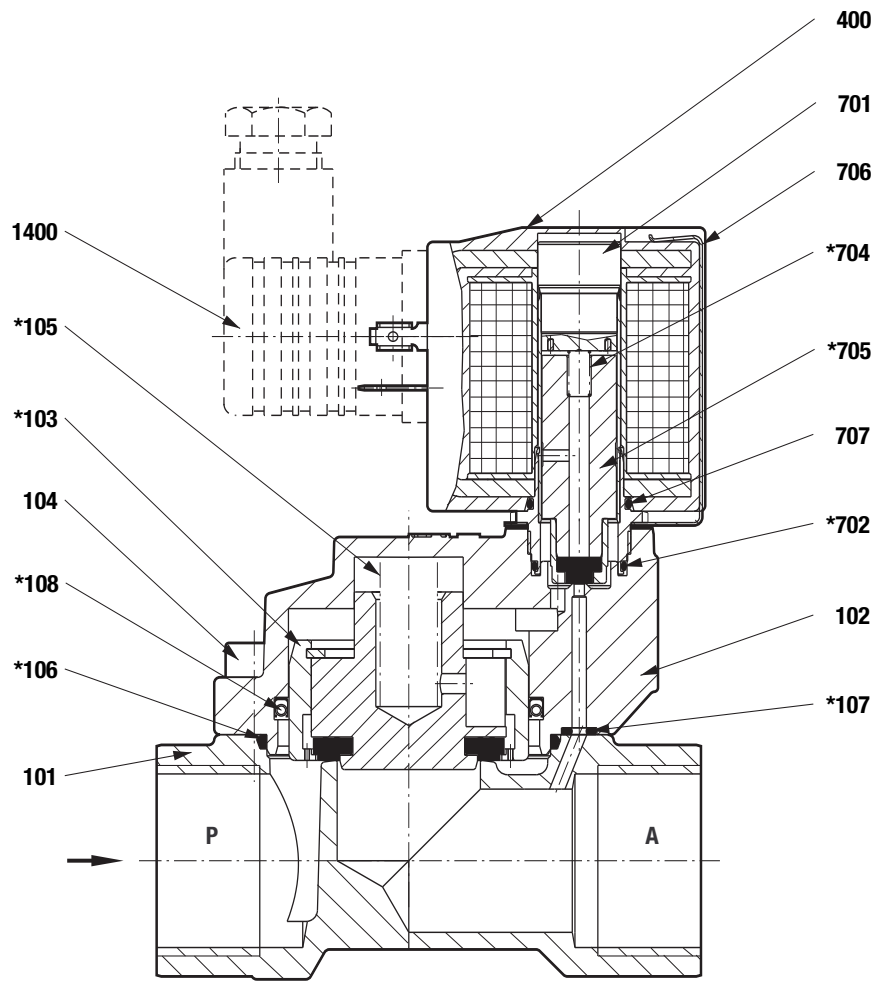
Power Consumption

According to VDE 0580 at coil temperature +20 °C. In operating the solenoid coil decrease the power consumption appr. 30 %.

DC	AC	
	Inrush	Holding
18 W	45 VA	35 VA / 17 W

For technical details see catalogue-register "Solenoids"

Section View



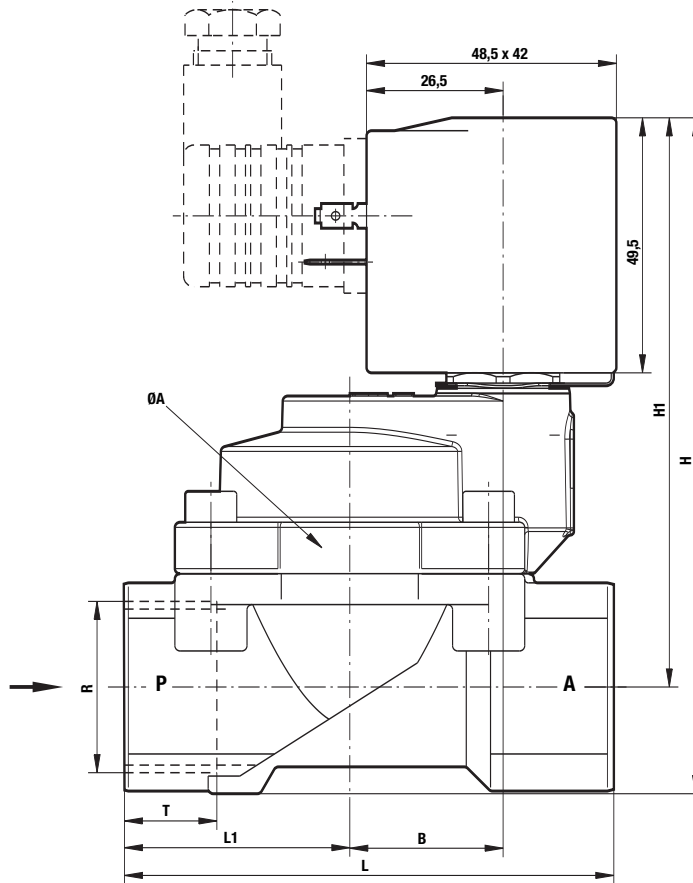
- 101 Valve body
- 102 Valve cover
- *103 Valve piston
- 104 Cheese head cap screw
- *105 Pressure spring
- *106 Seal ring
- *107 O-ring
- *108 Grooved ring

- 400 Solenoid
- 701 Core tube
- *702 O-ring
- *704 Pressure spring
- *705 Core
- 706 Spring clip
- 707 O-ring
- 1400 Socket (included)

* These individual parts form a complete wearing unit.
When ordering spare parts please state Cat No and Series No.

General Dimensions

Solenoid rotatable 360°
 Socket turnable 4 x 90°
 (Socket included)



Part Number	Ø A	B	H	H1	L	L1	R	T
8530000.9151 8531000.9151	44	19,5	105,0	93,5	60	27,5	G 1/4 1/4" NPT	12,0 10,0
8530100.9151 8531100.9151	44	19,5	105,0	93,5	60	27,5	G 3/8 3/8" NPT	12,0 10,5
8530200.9151 8531200.9151	44	19,5	107,5	93,5	67	31,0	G 1/2 1/2" NPT	14,0 13,5
8530300.9151 8531300.9151	50	24,0	119,0	102,5	80	36,5	G 3/4 3/4" NPT	16,0 14,0
8530400.9151 8531400.9151	62	29,5	131,5	110,5	95	44,0	G 1 1" NPT	18,0 17,0
8530500.9151 8531500.9151	92	44,5	166,0	137,0	132	60	G 1 1/4 1 1/4" NPT	20,0 17,0
8530600.9151 8531600.9151	92	44,5	166,0	137,0	132	60	G 1 1/2 1 1/2" NPT	22,0 17,0
8530700.9151 8531700.9151	109	54,5	186,0	151,5	160	74	G 2 2" NPT	24,0 17,5

Note to Pressure Equipment Directive (PED):

The valves of this series, including the connection-size DN 25 (G 1), are according to Art. 3 § 3 of the Pressure Equipment Directive (PED) 97/23/EG. This means interpretation and production are in accordance to engineers practice wellknown in the member countries.

The CE-sign at the valve refers not to the PED. Thus the declaration of conformity is not longer applicable for this directive.

For valves > DN 25 (G 1) Art. 3 § (1) No.1.4 applies.

The basic requirements of the Enclosure I of the PED must be fulfilled. The CE-sign at the valve includes the PED. A certificate of conformity of this directive will be available on request.

Note to Electromagnetic Compatibility Guideline (EEC):

The valves shall be provided with an electrical circuit which ensures the limits of the harmonised standards EN 50081-1 and EN 50082-1 are observed, and hence the requirements of the Electromagnetic Compatibility Guideline (89/336/EEC) satisfied.