

2/2-way-valves DN 15 to DN 25

for aggressive gaseous and liquid fluids

pressure actuated by external fluid

Seat valves

Connection DIN 11850 or ISO-welded ends

Operating pressure see table page 2

84760

84770

**Stainless
Steel**

Description (standard valve)

Flow direction:	fixed
Mounting position:	optional
Flow fluid range	
Fluid temperature:	-10°C to max. +180°C
Ambient temperature:	-10°C to max. +60°C
Material Body:	Stainless steel
Seat seal:	PTFE
Internal parts:	Stainless steel
Seal packing:	PTFE, FPM, self-adjustable

Pilot fluid range

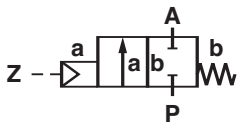
Pilot fluid:	neutral gaseous fluids
Fluid temperature:	max. +60°C
Body:	Polyamid 66 with glass fibre 30%
Seals:	NBR
Internal parts:	Brass, stainless steel, 1.8159, 1.1200



Features

- Optical position indicator as standard
- Damped closing (Valves closes against flow direction)
- Suitable for contaminated flow fluids
- Suitable for vacuum up to max. 90%
- Reversed flow direction optional
- High flow rate
- Option pressure actuated by external liquid fluid

Symbol



Order information

For order no. see page 2; e. g. 8476200.0000 for a DN 15 Ventil with DIN welded ends without pilot valve..

Characteristic data valve and solenoid informations see page 2

Detmolder Strasse 256
D-32545 Bad Oeynhausen

PO Box 10 02 52-53
D-32502 Bad Oeynhausen

Phone ++49 5731 / 7 91-0
Fax ++49 5731 / 791-179

<http://www.buschjost.com>
mail@buschjost.de

Characteristic data valves

Part Number •	Connection to	Nominal Diameter (mm)	Pilot pressure		Operating pressure *		k _v -value **	Weight total *** (Basis m ³ /h)	(kg)
			min	max (bar)	min	max (bar)			
8476200.0000 8477200.0000	DIN, Series 1 ISO	15	3.5	10	0	16.0	4.80	1.3	
8476300.0000 8477300.0000	DIN, Series 1 ISO	20	3.5	10	0	8.0	10.00	1.4	
8476400.0000 8477400.0000	DIN, Series 2 ISO	25	3.5	10	0	5.0	14.00	1.7	

- note: 0000 without pilot valve
- 9101 with pilot valve for DC and AC
- 3037 NAMUR- pilot valve 97100
- 9151 with pilot valve for DC and AC for quick exhausting

- * with gaseous and liquid fluids up to 600 mm²/s (cSt)
- ** C_v-value (US) ≈ k_v-value x 1.2
- *** without pilot valve

State voltage [V] and frequency [Hz]

Notes for 3/2-way pilot valve 84660/84680

Material body brass 2.0402
Pilot fluid temperature max. +60°C
Pilot pressure: 1-10 bar
Standard voltages: 24 V DC, 24 V AC; 230 V DC

Electrical Data for 3/2-way pilot valve 84660/84680

Technical data see publication D111402
Design acc. to VDE 0580
Voltage range ±10%
Duty cycle (ED) 100%
Protection class acc. to EN 60529 IP65
Socket acc. to DIN EN 175301-803 (included)

Notes for 3/2-way pilot valve 97100 hole pattern NAMUR

Material body aluminium elox
Pilot fluid temperature -10°C to +50°C
Pilot pressure: 2-8 bar
Standard voltages 24 V AC, 24 V DC, 230 V DC
Design acc. to VDE 0580
Voltage range ±10%
Duty cycle (ED) 100%
Protection class acc. to EN 60529 IP65
Socket acc. to DIN EN 175301-803 (included)

Data for 3/2-way pilot valve 97100 hole pattern NAMUR

Technical data see publication 7503389.XX.XX.XXXX
Design acc. to VDE 0580
Voltage range ±10%
Duty cycle (ED) 100%
Protection class acc. to EN 60529 IP65
Socket acc. to DIN EN 175301-803 (included)

Options

available at extra cost

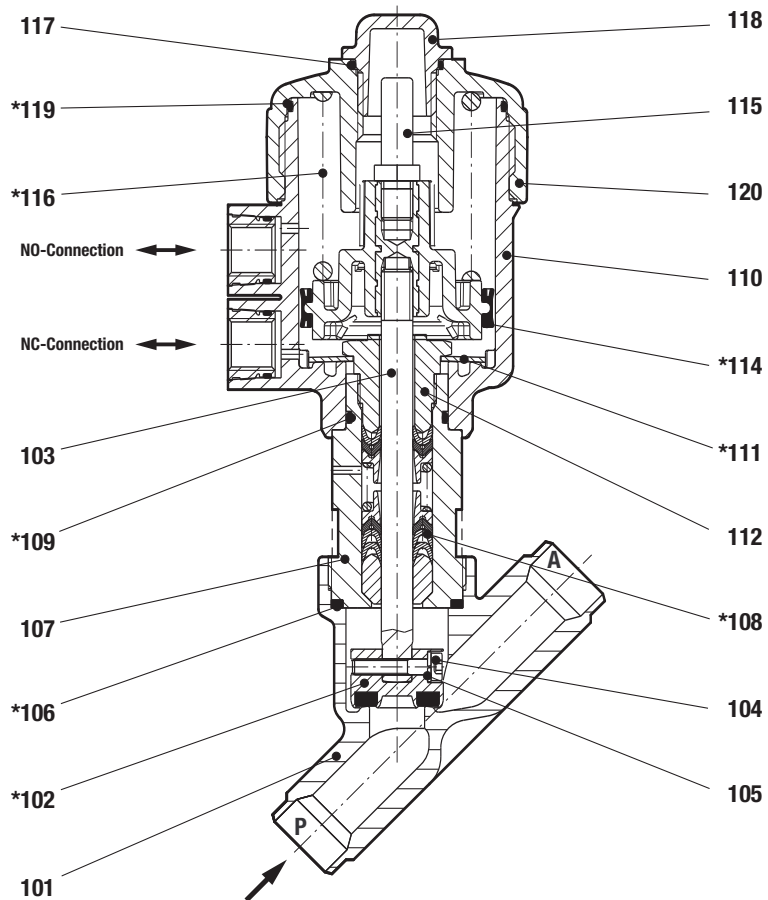
- XXXXX01.XXXX Normally open, closes with pilot pressure and opens with spring force (pilot pressure 1–10 bar)
- XXXXX08.XXXX Double acting; 4/2 or 5/2-way-pilot valve required
- XXXXX23.XXXX Double electrical position indicator
- XXXXX50.XXXX NAMUR interface plate

On request several seals: NBR, FPM, EPDM
stroke limiter
silencer

Mounting accessories NAMUR

Interface plate NAMUR hole pattern for retrofit, (part number **1256566**) consist of:
1x NAMUR interface plate
2x Adapter screw
2x O-ring

Section



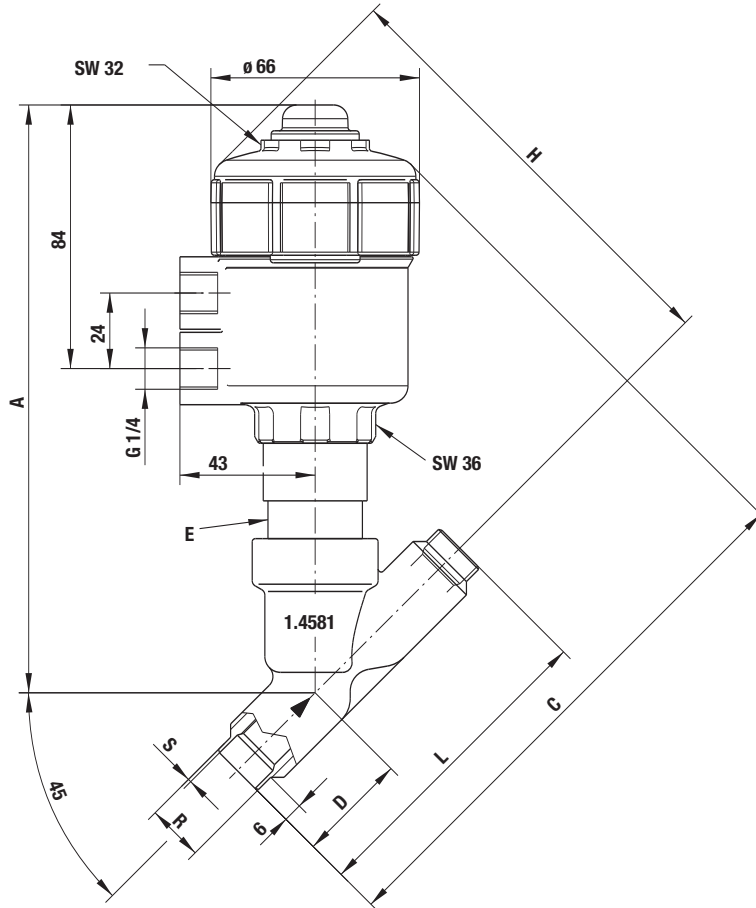
- 101 Valve body
- * 102 Valve plat
- 103 Valve spindle, complete
- 104 Cheese head cap screw
- 105 Spring washer
- * 106 Seal ring
- 107 Screw piece
- * 108 Seal packing
- * 109 O-ring
- 110 Control head housing, bottom part
- * 111 Cup spring

- 112 Screw piece
- * 114 Cylinder packing
- 115 Signal pin
- * 116 Pressure spring
- 117 O-ring
- 118 Cover cap
- * 119 O-ring
- 120 Control head housing cover

*These individual parts form a complete wearing unit.
When ordering spare parts please state valve Cat No and Series No.

Dimensions

Actuator may be rotated 360°



Order No.	Connection to	R	S	DN	A	C	D	H	L
8476200.0000	DIN, Series 1	18	1.0	15	187	175.5	35	140.5	100
8477200.0000	ISO	21.3	1.6	15	187	175.5	35	140.5	100
8476300.0000	DIN, Series 1	22	1.0	20	193	184.0	39	145.0	110
8477300.0000	ISO	26.9	1.6	20	193	184.0	39	145.0	110
8476400.0000	DIN, Series 2	29	1.5	25	201	190.5	40	150.5	120
8477400.0000	ISO	33.7	2.0	25	201	190.5	40	150.5	120

Note to Pressure Equipment Directive (PED):

The valves of this series, including the connection-size DN 25 (G 1), are according to Art. 3 § 3 of the Pressure Equipment Directive (PED) 97/23/EG. This means interpretation and production are in accordance to engineers practice wellknown in the member countries.

The CE-sign at the valve refers not to the PED. Thus the declaration of conformity is not longer applicable for this directive.

For valves > DN 25 (G 1) Art. 3 § (1) No.1.4 applies.

The basic requirements of the Enclosure I of the PED must be fulfilled. The CE-sign at the valve includes the PED. A certificate of conformity of this directive will be available on request.

Note to Electromagnetic Compatibility Guideline (EEC):

The valves shall be provided with an electrical circuit which ensures the limits of the harmonised standards EN 50081-1 and EN 50082-1 are observed, and hence the requirements of the Electromagnetic Compatibility Guideline (89/336/EEC) satisfield.