

# 2/2-way valves ND 20 to 50



For neutral gaseous and liquid fluids  
Indirectly solenoid actuated  
Diaphragm valves  
Flange connection PN 16  
Operating pressure 1 to 16 bar

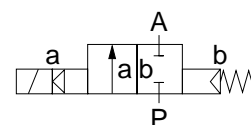
Publication 7501528.06.04.97  
Catalogue index  
**A 6**  
83 050 series

## Description (standard valve)

Solenoid valve for air, water and oil

Flow direction: determined  
Fluid temperature: max. +80 °C  
Ambient temperature: max. +55 °C  
Mounting position: optional, solenoid preferably vertical  
Material Body: Grey cast iron  
Seat seal: NBR  
Internal parts: 2.0402, 1.4104, 1.4301

For contaminated fluids insertion of a strainer is recommended (see accessories).



Switching function:  
Normally closed

## Features

- Damped operation
- Easily interchangeable solenoid

## Characteristic data

ND	Operating pressure with gaseous and liquid fluids up to 25 mm <sup>2</sup> /s (cSt) [bar]		k <sub>v</sub> -value <sup>2)</sup> (Base m <sup>3</sup> /h)	Weight [kg]	Dimension table No.	Cat no	
	min. <sup>1)</sup>	max.				Valve XX XXX	Solenoid DC or AC XX. XXXX
20	1	16	8.0	3.1	01	83 053 00.	0201
25	1	16	10.0	3.5	02	83 054 00.	0201
32	1	16	22.0	6.1	03	83 055 00.	0201
40	1	16	25.0	6.9	04	83 056 00.	0201
50	1	16	43.0	9.2	05	83 057 00.	0201

<sup>1)</sup> Minimum pressure differential P→A 1 bar

<sup>2)</sup> C<sub>v</sub>-value (US) ≈ k<sub>v</sub>-value x 1.2

State voltage [V]  
and frequency [Hz]

## IMI Norgren Buschjost GmbH + Co. KG

PO Box 10 02 52-53  
D-32502 Bad Oeynhausen

Tel +49 (0) 57 31 79 10  
Fax +49 (0) 57 31 79 11 79

<http://www.buschjost.com>  
e-mail: [mail@buschjost.de](mailto:mail@buschjost.de)

## Solenoids

Standard voltages	DC	AC	
		50 Hz	60 Hz
	24 V	24 V	–
	–	110 V	120 V
	205 V	230 V	220 V

Design acc. to VDE 0580  
 Voltage range  $\pm 10\%$   
 100 % duty cycle  
 Protection class acc. to EN 60529 IP 65 (previous DIN 40050)  
 Socket acc. to DIN 43 650  
 For technical details see catalog-register "Solenoids"

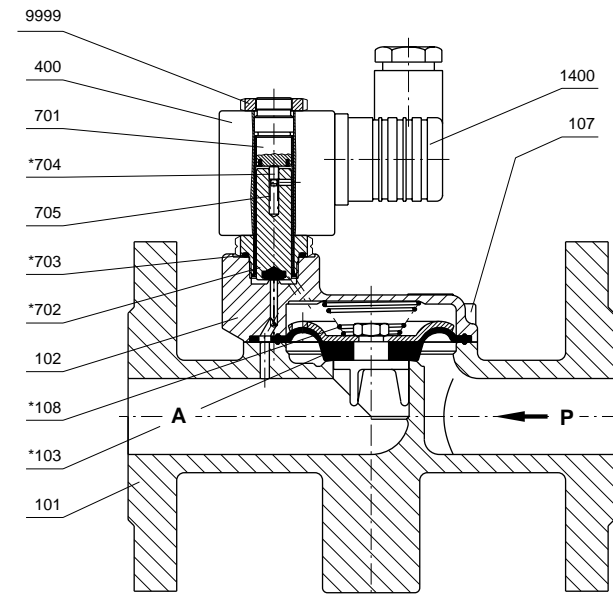
## Further models

available at extra cost

- XX XXX **01.XXXX** Normally open
- XX XXX **02.XXXX** Manual override
- XX XXX **03.XXXX** Seat seal FPM <sup>2)</sup>
- XX XXX **14.XXXX** Seat seal EPDM <sup>2)</sup>
- XX XXX **17.XXXX** Normally open; Seat seal FPM <sup>2)</sup>
- XX XXX **20.XXXX** Manual override; Seat seal FPM <sup>2)</sup>

<sup>2)</sup> Up to max. temperature +130 °C, only in combination with

## Section



- |                           |                      |
|---------------------------|----------------------|
| 101 Valve body            | *702 Core            |
| 102 Body cover            | *703 O-ring          |
| *103 Diaphragm            | *704 Guide bolt      |
| 107 Cheese head cap screw | *705 Pressure spring |
| 108 Pressure spring       | 1400 Socket          |
| 400 Solenoid              | 9999 Hexagon nut     |
| 701 Core tube             |                      |

\*These individual parts form a complete wearing unit.  
 When ordering spare parts please state Cat no and series no.

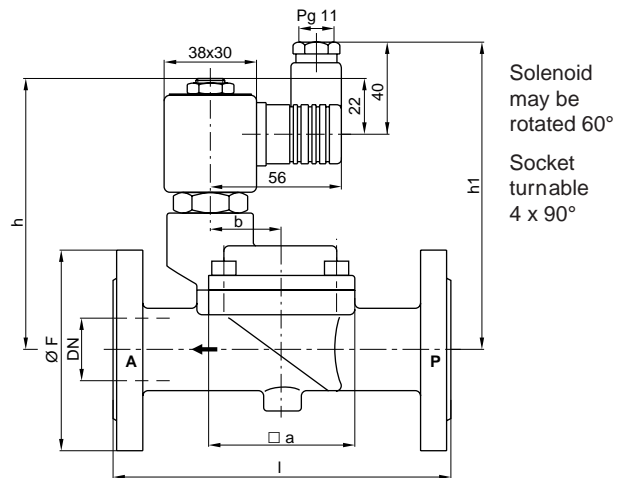
## Power consumption <sup>1)</sup>

Solenoid	DC	AC	
		Inrush	Holding
0201	11 W	22 VA	15 VA

<sup>1)</sup> According to VDE 0580 at coil temperature +20 °C. In operating the solenoid coil decrease the power consumption appr. 30 %.

- XX XXX XX.**0901** Solenoid for higher temperature, up to +130 °C
- XX XXX XX.**0922** Same as 0901, switching function: Normally open
- XX XXX XX.**9336** Solenoid in protection class EEx me II T4
- XX XXX XX.**9341** Solenoid in protection class EEx me II T3
- **On request** Marine design

## Dimensions



Flange connection PN 16 acc. to DIN 2533  
 Contact face acc. DIN 2526 Type C

Dimension table no	□ a	b	l	h
01	70	32	150	105
02	70	32	160	105
03	96	47	180	118
04	96	47	200	122
05	112	55	230	132
Dimension table no	h <sub>1</sub>	ND	ØF	
01	123	20	105	
02	123	25	115	
03	136	32	140	
04	140	40	150	
05	150	50	165	