

2/2-way valves DN 20 to DN 65

for air

Pneumatically actuated

Diaphragm valves

Internal threads G 3/4 up to G 2 1/2 or 3/4" NPT up to 2 1/2" NPT

Operating pressure 0.4 to 8 bar

82900
82910

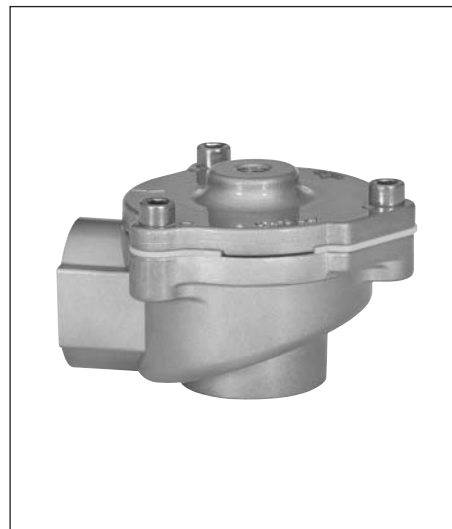
Description (standard valve)

Control via separate pilot valve or pilot controller.

Switching function:	Normally closed
Flow direction:	determined
Fluid temperature:	-40°C to max. +85°C
Ambient temperature:	-20°C to max. +85°C
Mounting position:	optional
Pilot connection:	G 1/8 resp. 1/8" NPT

Material

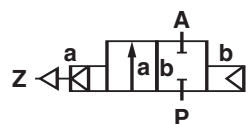
Body:	Aluminium
Seat seal:	TPE



Features

- High flow rate
- Clear compact design
- One-piece diaphragm

Symbol



Ordering information

To order, quote model number from table overleaf, e.g. 8290300.0000 for a G 3/4 valve.

Characteristic data

See page 2 valve informations

Detmolder Strasse 256
D-32545 Bad Oeynhausen
PO Box 10 02 52-53
D-32502 Bad Oeynhausen
Phone ++49 5731 / 791-0
Fax ++49 5731 / 791-179
<http://www.buschjost.com>
mail@buschjost.de

Characteristic data
Valves

Part Number	Nominal diameter (mm)	Port size	Valve length mm	Operating Pressure		kv-value* (Base m ³ /h)	Weight (kg)
				min	max (bar)		
8290300.0000 8231300.0000	20	G 3/4 3/4" NPT	95	0.4	8	18	0.29
8290400.0000 8291400.0000	25	G 1 1" NPT	95	0.4	8	22	0.29
8290600.0000 8291600.0000	40	G 1 1/2 1 1/2" NPT	135	0.4	8	59	0.97
8290700.0000 8291700.0000	50	G 2 2" NPT	170	0.4	8	80	1.79
8290800.0000 8291800.0000	65	G 2 1/2 2 1/2" NPT	170	0.4	8	93	2.07

* C_v-value (US) ≈ k_v-value x 1.2

Options (Valves)

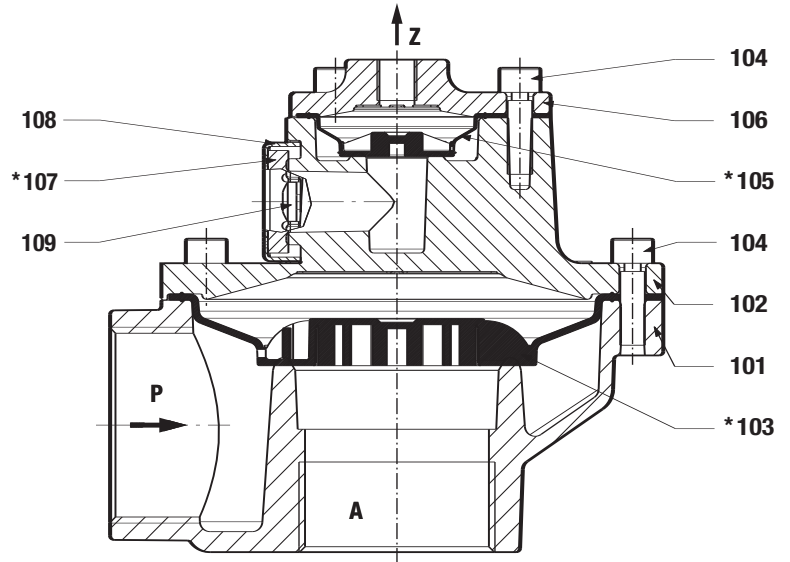
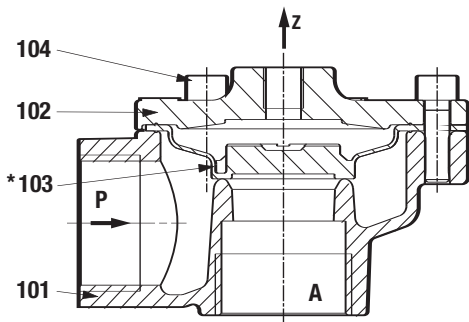
- XXXX**60**.XXXX Crude gas temperature version -10 up to +140° C;
 Seat seal ECO/FPM;
 Ambient and coil gas temperature;
 -10 up to 100° C (DN 20 + DN 25)
 -10 up to 85° C (DN 40 up to DN 65)
- XXXX**90**.XXXX single-level; up to 4.5 bar (only DN 40)

On request Further versions

Section View

G 3/4 / 1 and 3/4" / 1" NPT

G 1 1/2 and 1 1/2" NPT
 G 2 and 2" NPT
 G 2 1/2 and 2 1/2" NPT



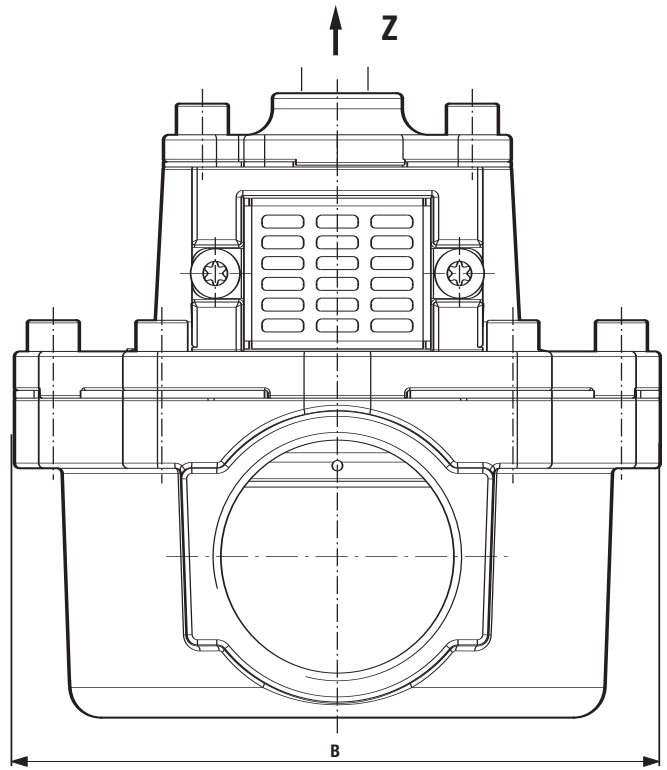
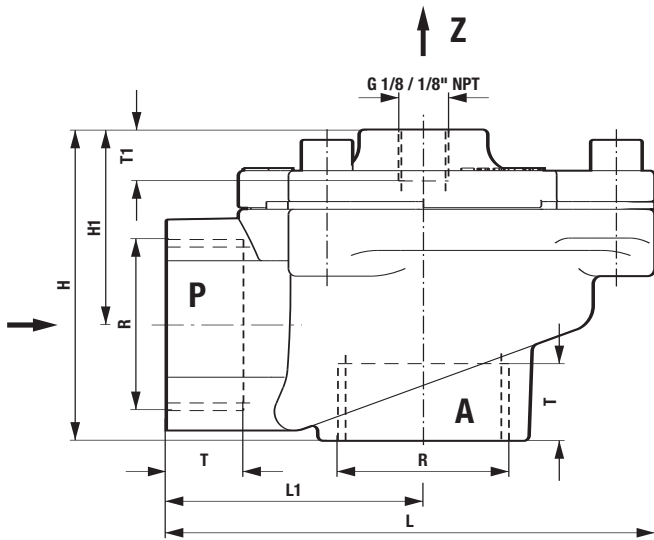
- 101 Valve body
- 102 Valve cover
- *103 Diaphragm
- 104 Socket head cap screw
- *105 Diaphragm
- 106 Valve cover
- *107 Silencer
- 108 Silencer housing
- 109 Socket head cap screw

* These individual parts form a complete wearing unit.
 When ordering spare parts please state Cat no and series no.

General Dimensions

G 3/4 / 1 and 3/4" / 1" NPT

G 1 1/2 and 1 1/2" NPT
 G 2 and 2" NPT
 G 2 1/2 and 2 1/2" NPT




Part Number.	B	H	H1	L	L1	T1	R	T
8290300.0000 8291300.0000	80.0	61.5	39	95	50	10	G 3/4 3/4" NPT	16 14
8290400.0000 8291400.0000	80.0	61.5	39	95	50	10	G 1 1" NPT	18 17
8290600.0000 8291600.0000	124.5	122.0	91	135	70	10	G 1 1/2 1 1/2" NPT	22 18
8290700.0000 8291700.0000	140	145	104	170	95	10	G 2 2" NPT	25 18
8290800.0000 8291800.0000	140	160	115	170	95	10	G 2 1/2 2 1/2" NPT	25 24

Note to Pressure Equipment Directive (PED):

The valves of this series are according to Art. 3 § 3 of the Pressure Equipment Directive (PED) 97/23/EG.

This means interpretation and production are in accordance to engineers practice wellknown in the member countries.
 A certificate of conformity ist not designated.

Buschjost and the picture  are registered trademarks of the IMI Norgren Buschjost GmbH + Co. KG, Germany.