

2/2-way valves ND 20 to 50



For air
Indirectly actuated with pilot connection
Diaphragm valves
G 3/4 to G 2 internal thread
Operating pressure 0.3 to 8 bar

Publication 7500964.06.04.97
Catalogue index
A 8
82 850 series

Description (standard valve)

Flow direction: fixed
Fluid temperature: max +90°C
Mounting position: optional
Material body: Al
seat seal: fabric diaphragm with
NBR valve plate

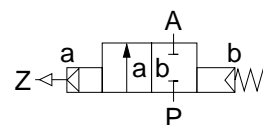


Control via separate pilot valve or pilot controller.

For contaminated fluid insertion of a strainer
(see accessories) is recommended.

Features

- Filter ventilation valve
- Short switching time
- High flow rate



Switching function:
Normally closed

Characteristic data

ND	Connection (Thread to DIN ISO 228/1)	Pilot connection	Operating pressure [bar]		k _v -value ² (basis m ³ /h)	Weight [kg]	Section no	Dimension table no	Cat no XX XXX XX.XXXX
			min. ¹	max.					
20	G 3/4	G 1/8	0.3	8	15	0.45	01	01	82 853 51.0000
25	G 1	G 1/8	0.3	8	20	0.50	01	02	82 854 51.0000
40	G 1 1/2	G 1/4	0.3	8	43	0.95	02	04	82 856 51.0000
50	G 2	G 1/4	0.3	8	61	1.45	03	05	82 857 51.0000

¹ Minimum pressure differential from P→A 0.3 bar

² c_v - valve (US) ≈ k_v - value x 1.2

IMI Norgren Buschjost GmbH + Co. KG

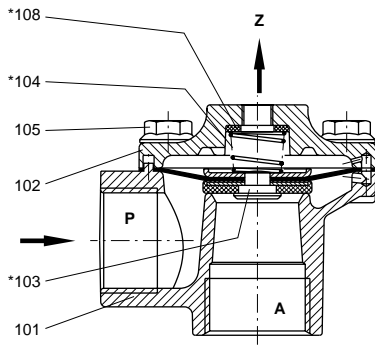
PO Box 10 02 52-53
D-32502 Bad Oeynhausen

Tel +49 (0) 57 31 79 10
Fax +49 (0) 57 31 79 11 79

<http://www.buschjost.com>
e-mail: mail@buschjost.de

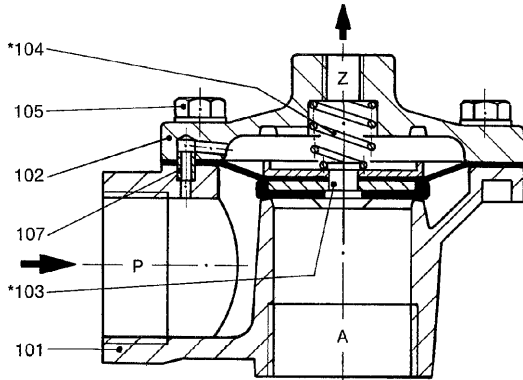
Sections

01



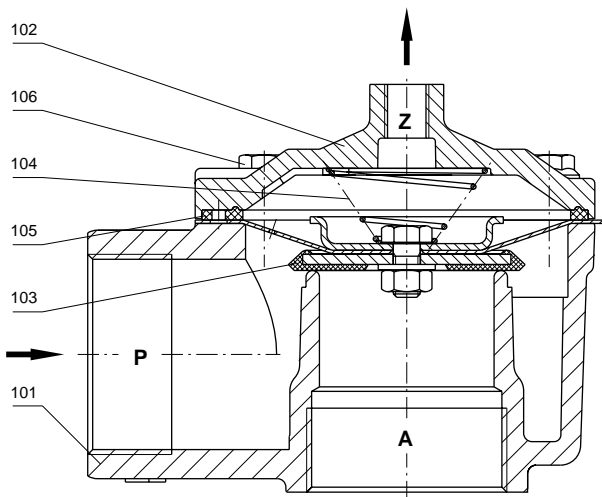
- 101 Body
- 102 Body cover
- * 103 Diaphragm
- * 104 Compression spring
- 105 Locking bolt
- * 108 Gasket

02



- 101 Body
- 102 Body cover
- * 103 Diaphragm
- * 104 Compression spring
- 105 Locking bolt
- 107 Bush

03

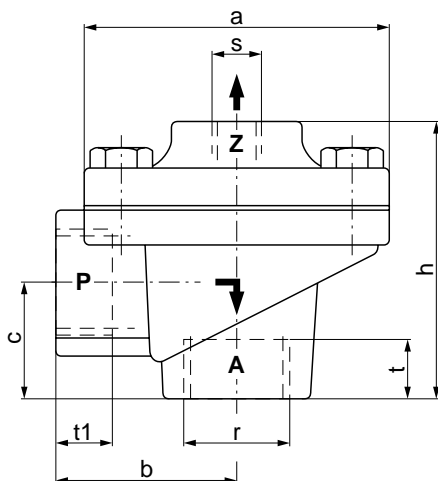


- 101 Body
- 102 Body cover
- * 103 Diaphragm
- * 104 Compression spring
- * 105 Seal ring
- 106 Hex bolt

* These individual parts form a complete unit subject to wear.

When ordering spare parts please state
Cat no and Series no.

Dimensions



Dimension table no	a	b	c	h
01	□ 75	44	30	70
02	□ 75	50	30	74
04	∅ 115	75	31	100
05	□ 112	95	41	122
Dimension table no	r	t	t ₁	s
01	G ¾	15	15	G ⅛
02	G 1	18	18	G ⅛
04	G 1½	20	17	G ¼
05	G 2	25	25	G ¼