

2/2-way-valves DN 15 to DN 50 with DVGW approval

for neutral burnable gases and gaseous fluids

pressure actuated by external fluid

Seat valves

Internal threads G 1/2 to G 2

Operating pressure 0 to 10 bar, Pilot pressure 5 to 8 bar



Description (standard valve)

| | |
|----------------------|--------------------------------|
| Switching function: | normally closed |
| Flow direction: | determined |
| Mounting position: | optional |
| Fluid temperature: | -10°C up to max. +60°C |
| Ambient temperature: | -10°C up to max. +60°C |
| Material body: | dezincification brass (CW602N) |
| Seat seal: | FPM |
| Body seal: | FPM |
| Internal parts: | Brass, stainless steel |
| Spindle sealing: | PTFE / FPM self-adjustable |



Features

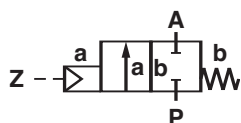
- High function safety
- Valve closes *with* flow direction
- Qualification approval acc. to EN 161/3394 Part 1
- Response time < 1s

Note

Generating pressure exceeding 4 bars female threaded sealing connections are not allowed.

Outer threaded version available on request (extra charge).

Symbol



Ordering information

To order, quote model number from table overleaf, e.g. 8258200.0000 for a G 1/2 without pilot valve.

Characteristic data

See page 2 valve and solenoid informations.

EC type examination certificate

Product ID-No.: CE-0085 AT0091

Valve class A

Valve group 2

Characteristic data

Valves

| Part Number | ND (mm) | Post size | Pilot pressure min. | (bar) max. | Operating pressure * min. | (bar) max. | kv-value *** (Base m³/h) | Weight total ** (kg) |
|------------------------------|---------|-------------------------|---------------------|------------|---------------------------|------------|--------------------------|----------------------|
| 8258200.0000 8258280.0000 | 15 | G 1/2 Pipe ø 15 mm | 5 | 8 | 0 | 4 10 | 4.8 | 1.4 |
| 8258300.0000 8258380.0000 | 20 | G 3/4 Pipe ø 22 mm | 5 | 8 | 0 | 4 10 | 10.0 | 1.5 |
| 8258400.0000 8258480.0000 | 25 | G 1 Pipe ø 28 mm | 5 | 8 | 0 | 4 10 | 14.0 | 1.8 |
| 8258500.0000 8258580.0000 | 32 | G 1 1/4 Pipe ø 35 mm | 5 | 8 | 0 | 4 10 | 23.0 | 2.4 |
| 8258600.0000 8258680.0000 | 40 | G 1 1/2 Pipe ø 42 mm | 5 | 8 | 0 | 4 10 | 30.0 | 2.7 |
| 8258700.0000 | 50 | G 2 | 5 | 8 | 0 | 10 | 37.0 | 3.9 |

* with gaseous and liquid fluids up to 400 mm²/s (cSt)

** without pilot valve

*** C_v-value (US) ≈ kv-value x 1.2

State voltage [V] and frequency [Hz]

Note

Operating pressure exceeding 4 bars female threaded sealing connections are not allowed.
Outer threaded version available on request (extra charge).

Notes for 3/2-way pilot valve

Material body brass

Pilot fluid temperature -10°C up to max. +80°C

Pilot pressure: p_{max} = 8 bar

Standard voltages

| DC | AC | |
|-------|-------|-------|
| | 50 Hz | 60 Hz |
| 24 V | 24 V | - |
| - | 110 V | 120 V |
| 205 V | 230 V | 220 V |

Options

available at extra cost

XXXXX50.XXXX

Degreased version;
housing blue painted

XXXXX53.XXXX

Optical position indicator

On request

further versions

Note: This valve type is safety shut off valve and not available in the function „normally open“.

Data for 3/2-way pilot valve

Design acc. to DIN VDE 0580

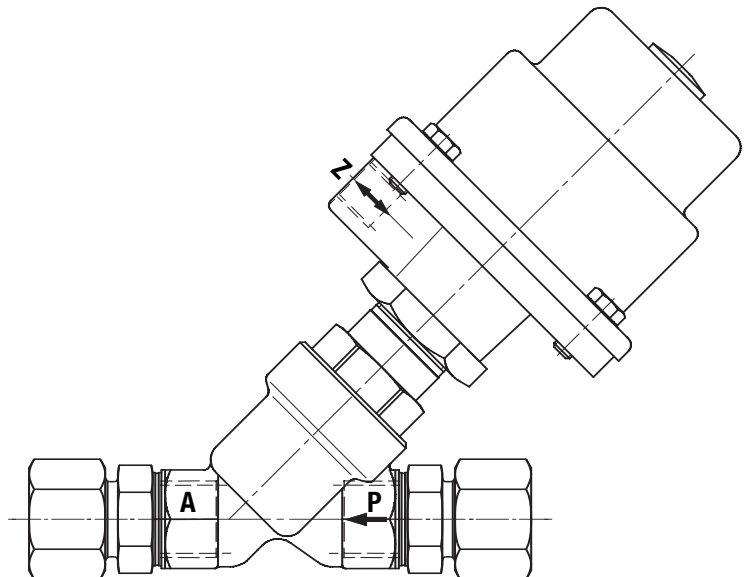
Voltage range ±10%

Duty cycle (ED) 100%

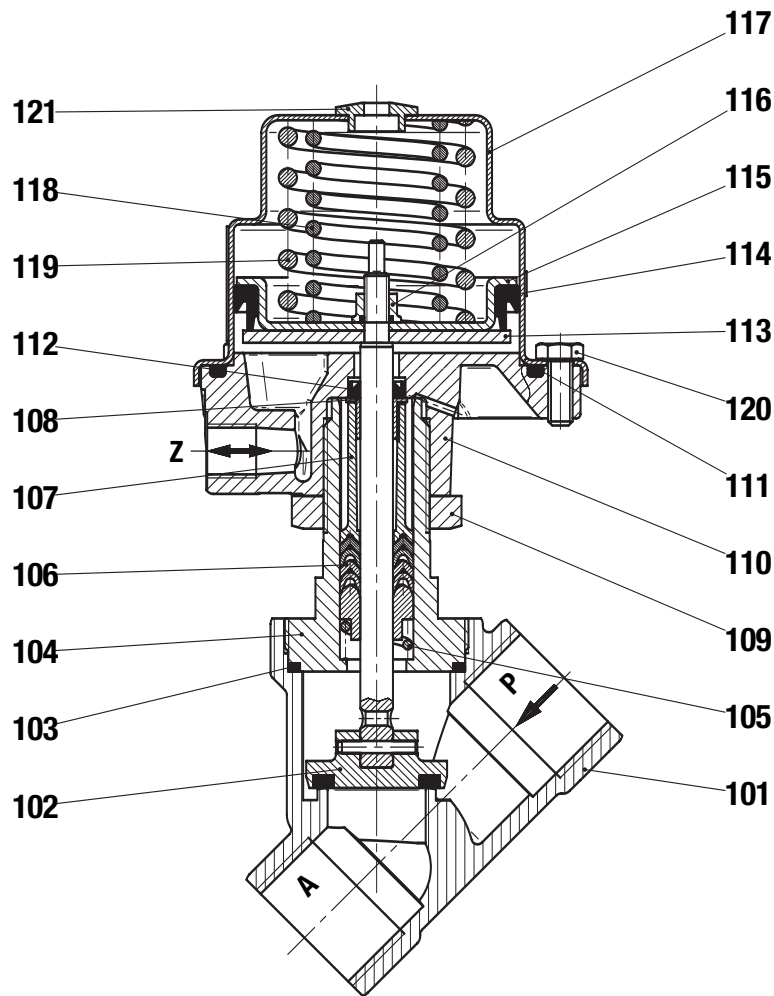
Protection class to EN 60529 IP 65 with mounted socket

Socket acc. to DIN EN 175301-803A (included)

Valve with pipe fitting



Section view

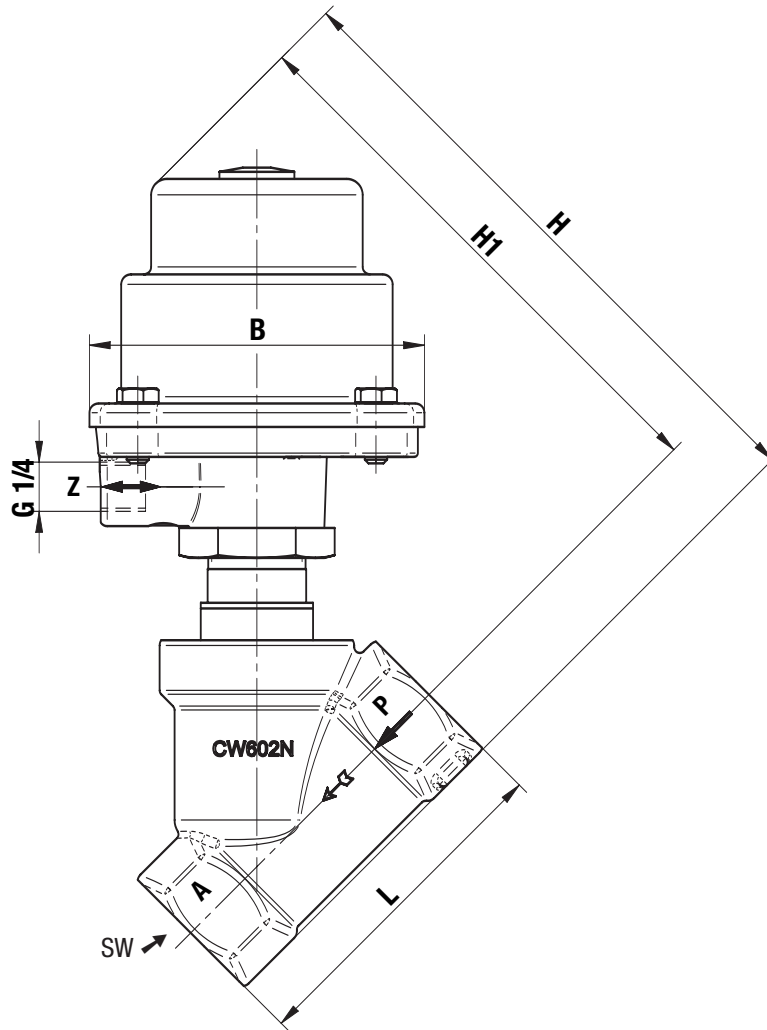


- 101 Valve body
- *102 Valve spindle
- *103 O-ring
- 104 Screw piece
- *105 Pressure spring
- *106 Seal packing
- 107 Spacer bush
- *108 Plain bearing
- 109 Nut
- 110 Control head housing
- *111 O-ring
- *112 Grooved ring
- 113 Round plate

- *114 Grooved ring
- 115 Round plate
- *116 Seal-lock-nut
- 117 Control head housing
- *118 Pressure spring
- *119 Pressure spring
- 120 Hexagon screw
- 121 Plug

* These individual parts form a complete wearing unit.
When ordering spare parts please state Cat No and Series No.

General Dimensions



| Part Number | Connection G | L | B | H | H1 | SW |
|--------------|--------------|-----|------|-----|-------|----|
| 8258200.0000 | 1/2 | 65 | 89.5 | 154 | 140.5 | 27 |
| 8258300.0000 | 3/4 | 75 | 89.5 | 160 | 144.0 | 32 |
| 8258400.0000 | 1 | 90 | 89.5 | 171 | 150.5 | 41 |
| 8258500.0000 | 1 1/4 | 110 | 89.5 | 186 | 161.0 | 50 |
| 8258600.0000 | 1 1/2 | 120 | 89.5 | 190 | 162.5 | 55 |
| 8258700.0000 | 2 | 150 | 89.5 | 206 | 171.0 | 70 |

Note to Pressure Equipment Directive (PED):

The valves of this series, including the connection-size DN 25 (G 1), are according to Art. 3 § 3 of the Pressure Equipment Directive (PED) 97/23/EG. This means interpretation and production are in accordance to engineers practice wellknown in the member countries.

The CE-sign at the valve refers not to the PED. Thus the declaration of conformity is not longer applicable for this directive.

For valves > DN 25 (G 1) Art. 3 § (1) No.1.4 applies.

The basic requirements of the Enclosure I of the PED must be fulfilled.

The CE-sign at the valve includes the PED. A certificate of conformity of this directive will be available on request.

Note to Electromagnetic Compatibility Guideline (EEC):

The valves shall be provided with an electrical circuit which ensures the limits of the harmonised standards EN 50081-1 and EN 50082-1 are observed, and hence the requirements of the Electromagnetic Compatibility Guideline (89/336/EEC) satisfield.