

**2/2-way valves DN 8 to DN 25**  
 for hot water and steam  
 Indirectly solenoid actuated  
 Diaphragm valves  
 Internal threads G 1/4 to G 1  
 Operating pressure 0.1 to 10 bar

**Click-on®**

**Description (standard valve)**

Solenoid valve for hot water and steam

Switching function:	Normally closed
Flow direction:	determined
Fluid temperature:	max. +150 °C
Ambient temperature:	max. +60 °C
Mounting position:	optional, preferably solenoid vertical on top

**Material**

Body:	Brass
Seat seal:	HNBR
Internal parts:	Stainless steel, brass

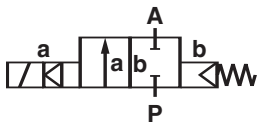
For contaminated fluids insertion of a strainer is recommended (see accessories).



**Features**

- High flow rate
- Damped operation
- Clear compact design
- Solenoid interchangeable without tools (Click-on®)
- Especially qualification as water valve to DIN EN 60730-2-8

**Symbol**



**Ordering information**

To order, quote model number from table overleaf, e.g. 8247000.9101 for a G 1/4 valve with standard solenoid.

**Characteristic data**

See page 2 valve and solenoid informations

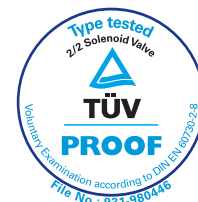
**EC type examination up to ND 25**

**acc. to DIN EN 60730-2-8**

**Solenoid Valves**

**Test laboratory**

**TÜV Rheinland / Brandenburg**



Detmolder Strasse 256  
D-32545 Bad Oeynhausen

PO Box 10 02 52-53  
D-32502 Bad Oeynhausen

Phone ++49 5731 / 791-0  
Fax ++49 5731 / 791-179

<http://www.buschjost.com>  
mail@buschjost.de

**Characteristic data**

**Valves**

Part Number with DC or AC solenoid	Nominal Diameter (mm)	Port size	Valve length (mm)	Operating Pressure *		kv-value ** (Base m <sup>3</sup> /h)	Weight (kg)
				min	max (bar)		
8247000.9101	8	G 1/4	60	0.1	10	1.70	0.47
8247100.9101	10	G 3/8	60	0.1	10	2.70	0.45
8247200.9101	12	G 1/2	67	0.1	10	3.40	0.50
8247300.9101	20	G 3/4	80	0.1	10	5.50	0.65
8247400.9101	25	G 1	95	0.1	10	8.50	0.95

\* with gaseous and liquid fluids up to 25 mm<sup>2</sup>/s (cSt)

State voltage [V] and frequency [Hz]

\*\* C<sub>v</sub>-value (US) ≈ k<sub>v</sub>-value x 1.2

**9101 Solenoid**

**Standard voltages**

DC	AC	
	50 Hz	60 Hz
24 V	24 V	–
–	110 V	120 V
205 V	230 V	220 V

Design acc. to DIN VDE 0580

Voltage range ±10 %


100 % duty cycle

Protection class acc. to EN 60529 IP65

Socket acc. to DIN EN 175301-803 (included)

**Power Consumption**

According to DIN VDE 0580 at coil temperature +20 °C. In operating the solenoid coil decrease the power consumption appr. 30 %.

DC	AC	
	Inrush	Holding
8 W 	15 VA	12 VA / 7 W

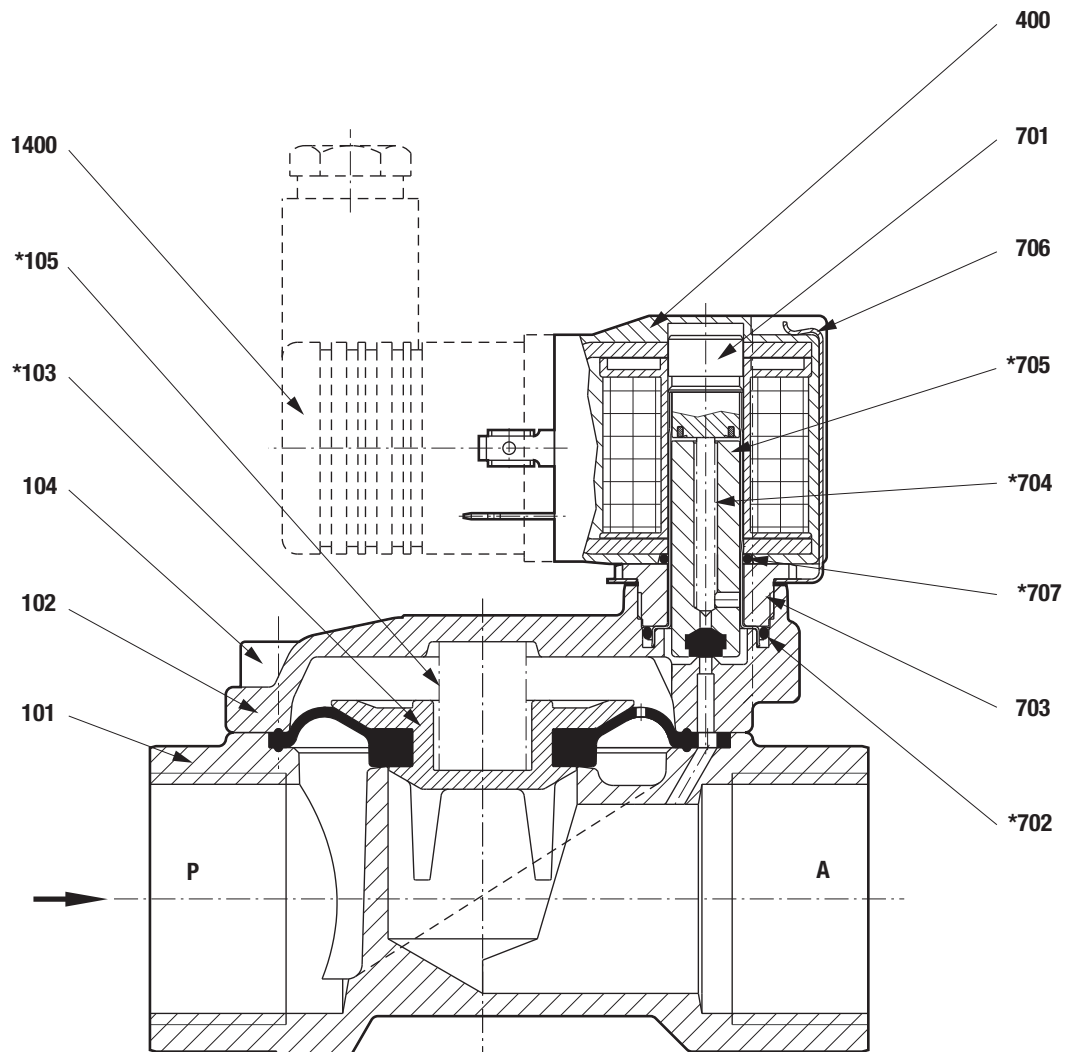
For technical details see catalog-register "Solenoids"

**Options (Valves)**

XXXXX01.XXXX Normally open (NO)

On request Further versions

## Section View

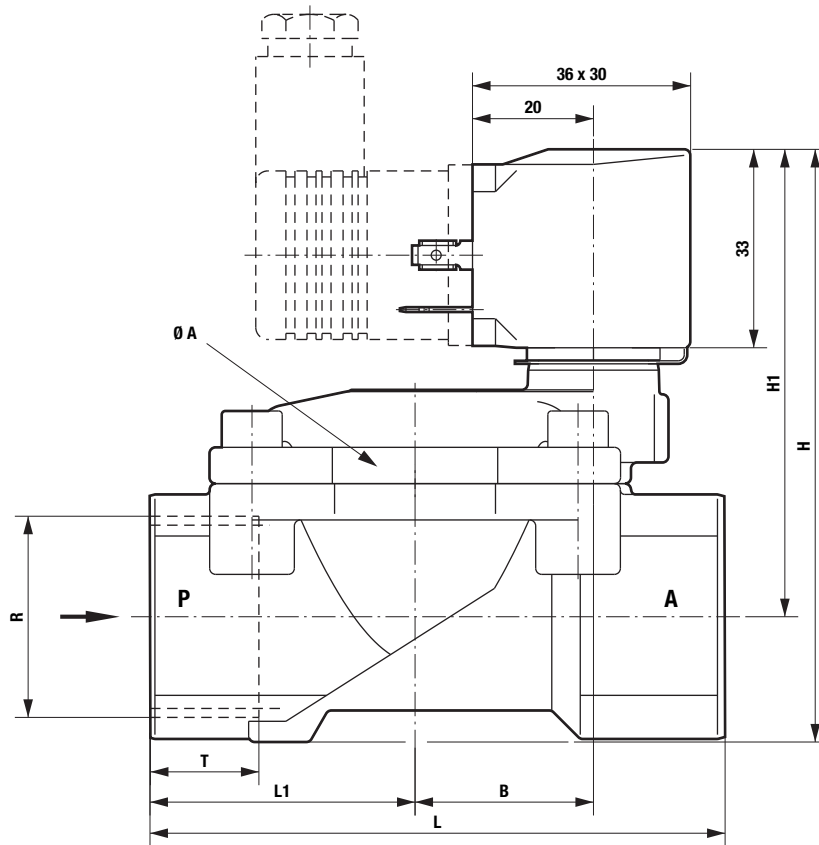


- 101 Valve body
- 102 Valve cover
- \*103 Diaphragm
- 104 Socket head cap screw
- \*105 Pressure spring
- 400 Solenoid
- 701 Core tube
- \*702 O-ring
- 703 Screw piece
- \*704 Pressure spring
- \*705 Core
- 706 Spring clip
- \*707 O-ring
- 1400 Socket (included)

\* These individual parts form a complete wearing unit.  
When ordering spare parts please state Cat no and series no.

General Dimensions

Solenoid rotatable 360°  
 Socket turnable 4 x 90°  
 (Socket included)



Part Number	Ø A	B	H	H1	L	L1	R	T
8247000.9101	44	19.5	78.5	67	60	27.5	G 1/4	12.0
8247100.9101	44	19.5	78.5	67	60	27.5	G 3/8	12.0
8247200.9101	44	19.5	81.0	67	67	31.0	G 1/2	14.0
8247300.9101	50	24.0	88.0	71.5	80	36.5	G 3/4	16.0
8247400.9101	62	29.5	97.5	77	95	44.0	G 1	18.0

**Note to Pressure Equipment Directive (PED):**

The valves of this series are according to Art. 3 § 3 of the Pressure Equipment Directive (PED) 97/23/EG. This means interpretation and production are in accordance to engineers practice wellknown in the member countries. The CE-sign at the valve does not refer to the PED. Thus the declaration of conformity is not longer applicable for this directive.

**Note to Electromagnetic Compatibility Guideline (EEC):**

The valves shall be provided with an electrical circuit which ensures the limits of the harmonised standards EN 50081-1 and EN 50082-1 are observed, and hence the requirements of the Electromagnetic Compatibility Guideline (89/336/EEC) satisfield.