

# 2/2-way-valves DN 15 to DN 50

for aggressive gaseous and liquid fluids

pressure actuated by external fluid

Seat valves

Internal threads 1/2 to G 2 or 1/2" NPT to 2" NPT

Operating pressure 0 to 16 bar

82380

82390

82480

82490

## Description (standard valve)

Flow direction: determined

Mounting position: optional

### Operating fluid range

Fluid temperature: -10 °C up to max. +180 °C

Ambient temperature: -10 °C to max. +60 °C

Material body: Stainless steel

Seat seal: PTFE

Internal parts: Stainless steel

Seal packing: PTFE, FPM

### Pilot fluid range

Pilot connection: G 1/4

Pilot fluid: for neutral gaseous fluids

Fluid temperature: max. +60 °C

Material body: stainless steel,  
aluminium WEMA-Kor coated

Seat seals: NBR

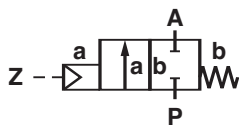
Internal parts: coated steel



## Features

- Suitable for contaminated flow fluid
- High flow rate
- Robust design
- Damped closing
- Suitable for vacuum

## Symbol



## Ordering information

To order, quote model number from table overleaf, e.g. 8238200.0000 for a G 1/4 valve.

**Characteristic data** See page 2 valve and solenoid informations

Detmolder Strasse 256  
D-32545 Bad Oeynhausen

PO Box 10 02 52-53  
D-32502 Bad Oeynhausen

Phone ++49 5731 / 791-0  
Fax ++49 5731 / 791-179

<http://www.buschjost.com>  
[mail@buschjost.de](mailto:mail@buschjost.de)

**Characteristic data**

**Valves**

Part Number •	Nominal Diameter (mm)	Connection	Impulse	Operating pressure *		kv-value ** (Basis m³/h)	Weight (kg)
				min	max (bar)		
8238200.0000 8239200.0000	15	G 1/2 1/2" NPT	70	0	16.0	4.8	1.3
8238300.0000 8239300.0000	20	G 3/4 3/4" NPT	70	0	10.0	10.0	1.4
8238400.0000 8239400.0000	25	G 1 1" NPT	70	0	10.0	14.0	1.7
8238500.0000 8239500.0000	32	G 1 1/4 1 1/4" NPT	70	0	7.0	23.0	2.4
8238600.0000 8239600.0000	40	G 1 1/2 1 1/2" NPT	70	0	4.5	30.0	2.6
8238700.0000 8239700.0000	50	G 2 2" NPT	70	0	3.0	37.0	3.8
8248500.0000 8249500.0000	32	G 1 1/4 1 1/4" NPT	125	0	16.0	27.0	5.1
8248600.0000 8249600.0000	40	G 1 1/2 1 1/2" NPT	125	0	10.0	37.0	5.5
8248700.0000 8249700.0000	50	G 2 2" NPT	125	0	10.0	53.0	7.0

- Note: 0000 without pilot valve  
0164 with pilot valve for DC  
0165 with pilot valve for AC

State voltage [V] and frequency [Hz]

- \* with gaseous and liquid fluids up to 600 mm²/s (cSt)
- \*\* C<sub>v</sub>-value (US) ≈ kv-value x 1.2
- \*\*\* without pilot valve

**Notes for 3/2-way pilot valve**

Material body brass  
Pilot fluid temperature max. +60 °C  
Pilot pressure: p<sub>max</sub> = 8 bar  
Standard voltages: 24 V  $\overline{\text{---}}$ , 24 V  $\sim$ ; 230 V  $\sim$

**Electrical Data for 3/2-way pilot valve**

Technical data see publication D107901  
Design acc. to VDE 0580  
Voltage range ±10%  
Duty cycle (ED) 100%  
Protection class acc. to EN 60529 IP65  
Socket acc. to DIN EN 175301-803 (included)

**Options (valves)**

- XXXXX01.XXXX Normally open, closes with pilot pressure and opens with spring force (pilot pressure 1 – 6 bar)
- XXXXX03.XXXX Seat seals FPM T<sub>max.</sub> +180 °C
- XXXXX22.XXXX Operating pressure G 1/2 25 bar, G 3/4 16 bar
- XXXXX23.XXXX Double electrical position indicator with solenoid switches
- XXXXX52.XXXX Optical position indicator
- XXXXX58.XXXX Electrical indicator EEx
- XXXXX59.XXXX T<sub>max.</sub> +200 °C
- XXXXX60.XXXX Stainless steel impulse
- XXXXX80.XXXX Spindle seal with stainless steel

On request

Further versions

**Options (solenoids)**

- XXXXXX.0164 with assembled standard pilot valve  
8495475.0164 DC
- XXXXXX.0165 with assembled standard pilot valve  
8495475.0165 AC

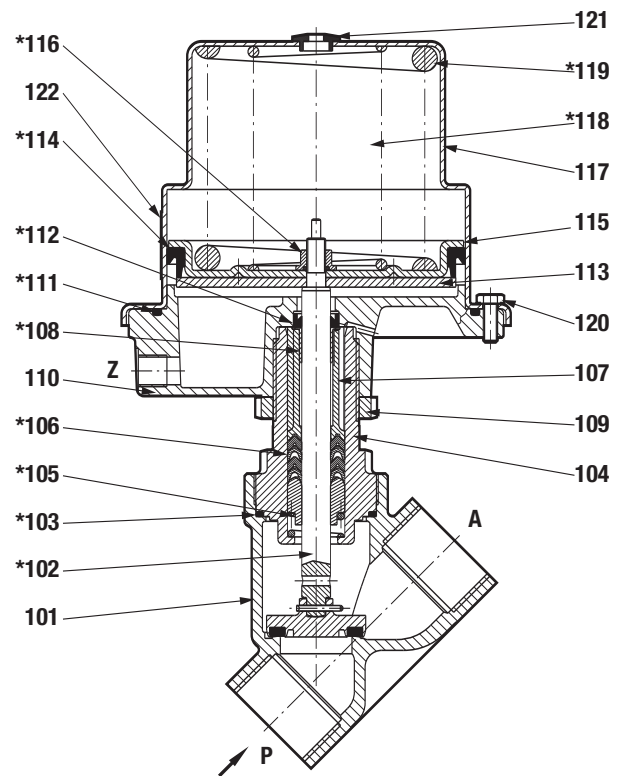
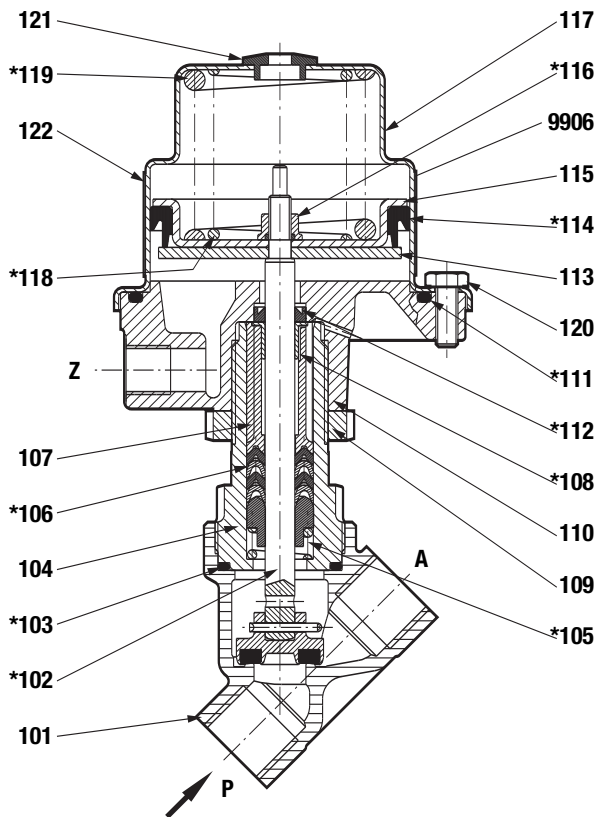
On request

Further versions

Section view

Impulse Ø 70

Impulse Ø 125



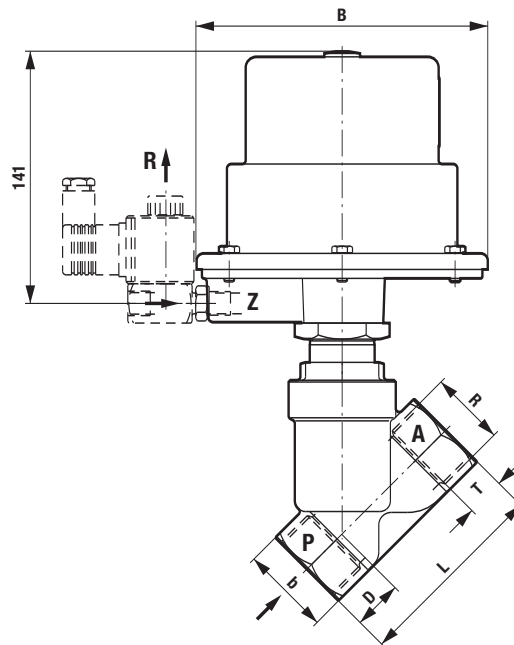
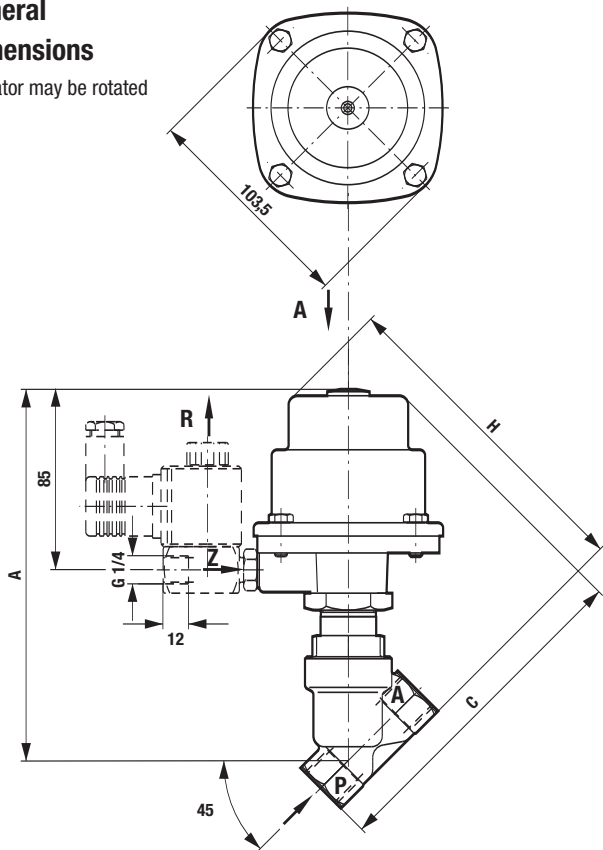
- 101 Valve body
- \*102 Valve spindle, complete
- \*103 Seal ring
- 104 Screw piece
- \*105 Pressure spring
- \*106 Seal packing
- 107 Spacer bush
- \*108 Slip bearing
- 109 Nut
- 110 Control head housing cover, bottom part
- \*111 O-ring
- \*112 FPM grooved ring
- 113 Round plate

- \*114 Grooved ring
- 115 Round plate
- \*116 Seal-lock-nut
- 117 Control head housing
- \*118 Pressure spring (only by G 1 and G 2)
- \*119 Pressure spring
- 120 Hexagon screw
- 121 Plug

\* These individual parts form an complete wearing unit.  
When ordering spare parts please state series no.

**General Dimensions**

Actuator may be rotated 360°



Part Number	Connection R	A	b	DN	C	H	L	T	B
8238200.0000	G 1/2	175	SW 27	18.5	159	154	65	15.0	89.5
8239200.0000	1/2" NPT								
8238300.0000	G 3/4	182	SW 32	21.0	165	160	75	16.5	89.5
8239300.0000	3/4" NPT								
8238400.0000	G 1	190	SW 41	25.0	175	171	90	19.0	89.5
8239400.0000	1" NPT								
8238500.0000	G 1 1/4	205	SW 50	28.0	189	186	110	21.5	89.5
8239500.0000	1 1/4" NPT								
8238600.0000	G 1 1/2	207	SW 55	31.0	193	190	120	21.5	89.5
8239600.0000	1 1/2" NPT								
8238700.0000	G 2	219	SW 70	40.0	211	206	150	26.0	89.5
8239700.0000	2" NPT								
8248500.0000	G 1 1/4	270	SW 50	28.0	253	250	110	21.5	163.0
8249500.0000	1 1/4" NPT								
8248600.0000	G 1 1/2	272	SW 55	31.0	257	255	120	21.5	163.0
8249600.0000	1 1/2" NPT								
8248700.0000	G 2	284	SW 70	40.0	275	270	150	26.0	163.0
8249700.0000	2" NPT								

**Note to Pressure Equipment Directive (PED):**

The valves of this series are according to Art. 3 § 3 of the Pressure Equipment Directive (PED) 97/23/EG. This means interpretation and production are in accordance to engineers practice wellknown in the member countries. The CE-sign at the valve does not refer to the PED. Thus the declaration of conformity is not longer applicable for this directive.

**Note to Electromagnetic Compatibility Guideline (EEC):**

The valves shall be provided with an electrical circuit which ensures the limits of the harmonised standards EN 50081-1 and EN 50082-1 are observed, and hence the requirements of the Electromagnetic Compatibility Guideline (89/336/EEC) satisfied.

**Buschjost** and the picture are registered trademarks of the IMI Norgren Buschjost GmbH + Co. KG, Germany.