

# 5/2 Plate Valve

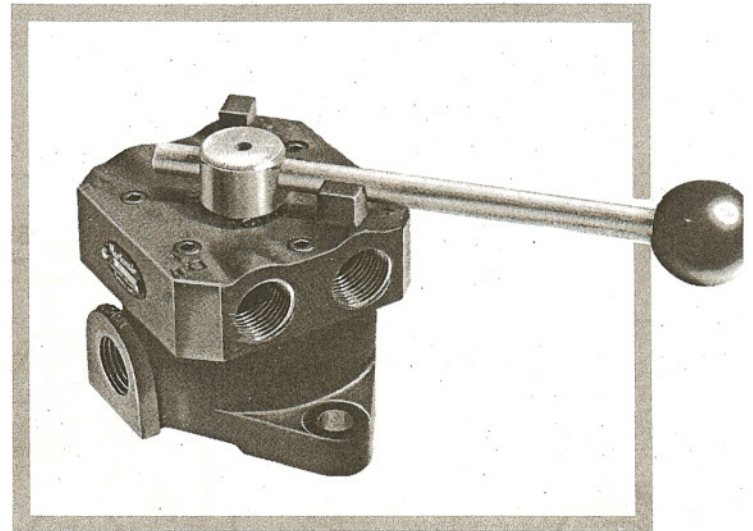
**S/808**

**Port size: 1/2" B.S.P.**

**Operating pressure: 0.7-10 bar**

**Cv. Factor: 2.94**

**Operating temperature: -20°C to +80°C.**



Type	Description
S/808	Lever-operated 5-port valve.

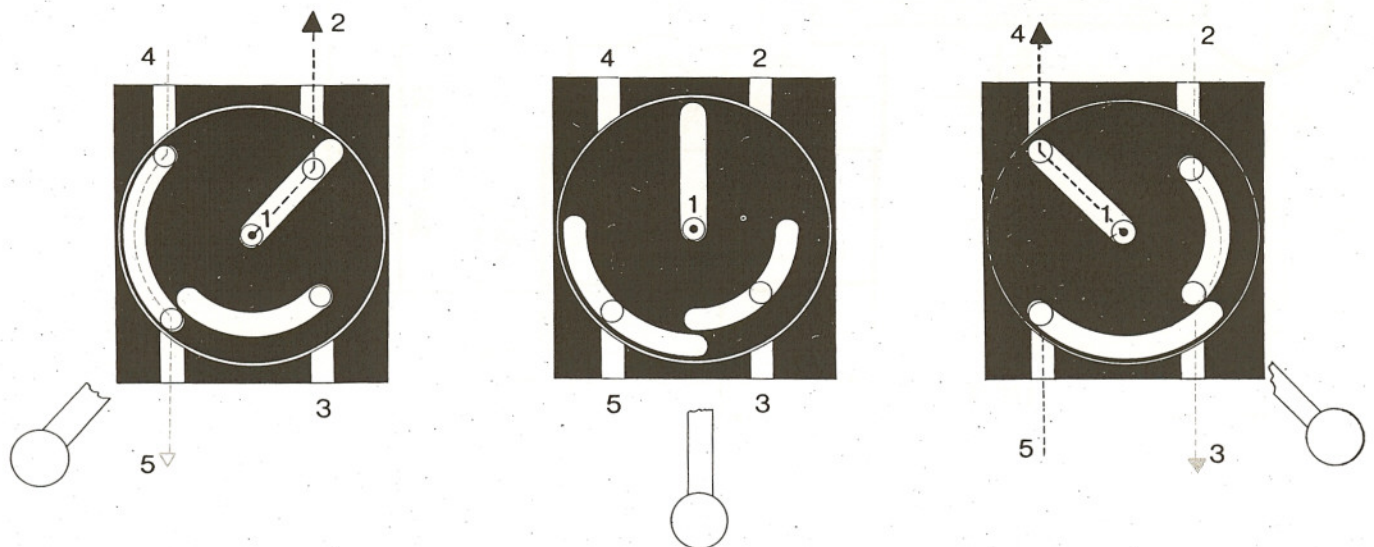
The S/808 plate valve is available as a lever operated valve in 1/2" B.S.P. size only. All ports are isolated in the mid-position. The exhaust ports are tapped.

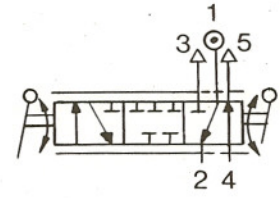
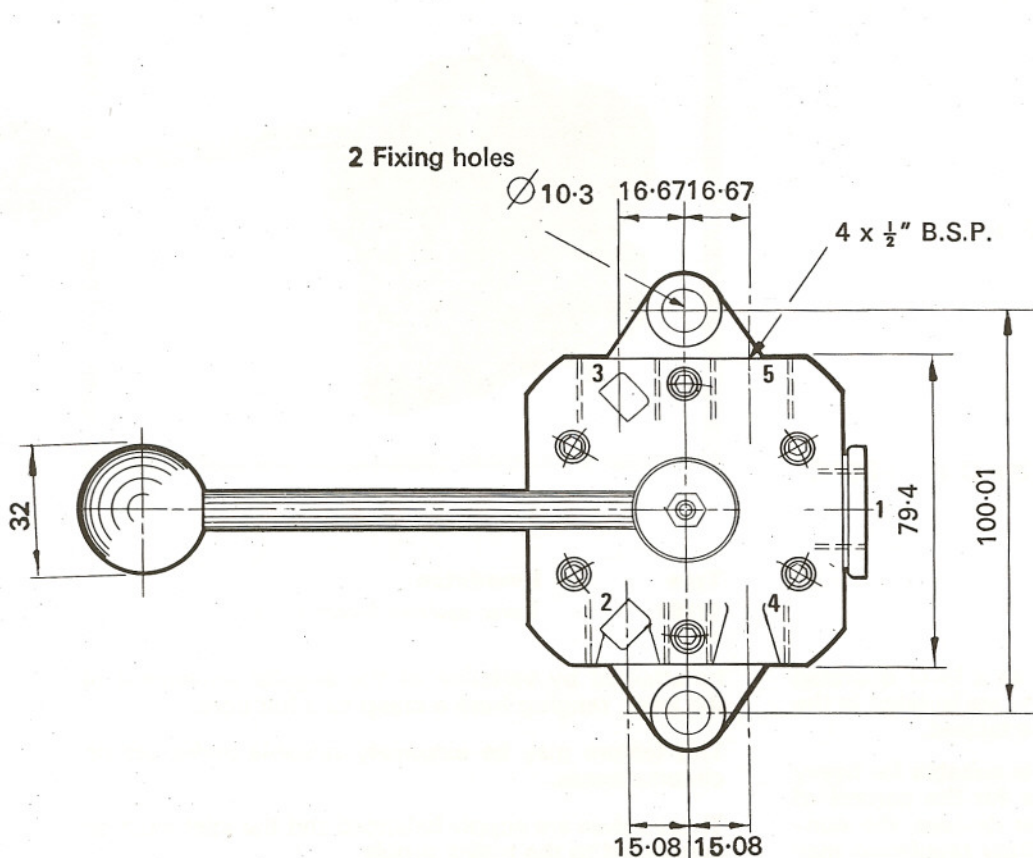
The valve is extremely robust and is suitable for heavy industrial applications, i.e. suitable for the control of double-acting cylinders and similar devices, the construction is such that a degree of flow regulation may

be attained by variation of the angular movement of the lever, ranging from a creep to a full bore.

This feature may be extremely valuable under certain circumstances.

These valves are supply balanced and the inlet must be connected to the mains supply.





**S/808**

**Rotary lever set-reset**

Manual operating force  
2 Nm at 6.3 bar.

